

LIMITED WARRANTY

Oceanic warrants that this product shall be free from defective electrical components and leaks or cracks due to defects in materials or workmanship for a period of 90 days from the date of purchase. If a defect is shown, Oceanic will, at Oceanic's sole discretion, either repair or replace the product without charge. No cash refunds will be made. This warranty is provided solely to the original consumer purchaser of the product and may not be transferred or assigned.

This warranty does not apply to damage resulting from accident, misuse, abuse, lack of reasonable care, failure to follow safety and installation instructions, use of the product with non-standard electrical service, or any other defect not resulting from defects in the electrical components of the product or defects in materials or workmanship. This warranty will not be effective unless and until the Oceanic product is shown to have been used in accordance with the safety and installation instructions accompanying the product.

THIS CONSTITUTES OCEANIC'S ENTIRE WARRANTY AND OCEANIC MAKES NO OTHER WARRANTIES, WHETHER EXPRESS OR IMPLIED, WITH RESPECT TO THE PRODUCT. OCEANIC SPECIFICALLY DISCLAIMS ANY AND ALL IMPLIED WARRANTIES, INCLUDING, WITHOUT LIMITATION, WARRANTIES OF MERCHANTABILITY AND FITNESS FOR A PARTICULAR PURPOSE. IF OCEANIC CANNOT LAWFULLY DISCLAIM IMPLIED WARRANTIES UNDER THIS LIMITED WARRANTY, ALL SUCH WARRANTIES, INCLUDING WARRANTIES OF MERCHANTABILITY AND FITNESS FOR A PARTICULAR PURPOSE ARE LIMITED IN DURATION TO THE DURATION OF THIS WARRANTY.

OCEANIC IS NOT RESPONSIBLE FOR DIRECT, SPECIAL, INCIDENTAL OR CONSEQUENTIAL DAMAGES RESULTING FROM ANY BREACH OF WARRANTY OR CONDITION, OR UNDER ANY OTHER LEGAL THEORY. OCEANIC EXPRESSLY DISCLAIMS ALL ALLEGED DAMAGES FOR LOSS OF AQUATIC LIFE, PERSONAL INJURY, AND/OR PROPERTY DAMAGE. Some states and provinces do not allow the exclusion or limitation of incidental or consequential damages or exclusions or limitations on the duration of implied warranties or conditions, so the above limitations or exclusions may not apply to you. This warranty gives you specific legal rights, and you may also have other rights that vary by state or province.

Oceanic shall not have any obligations under this warranty unless the owner notifies Oceanic in writing of any alleged defect(s) within 30 days of discovery of the defect(s). Any notice to Oceanic must be delivered by United States or electronic mail to one of the following addresses:

U.S. Mail
Oceanic Systems
9675 South 60th Street
Franklin, Wisconsin, 53132

Electronic Mail
customerservice@oceanicsystems.com

Oceanic shall be allowed a reasonable period of time to investigate any warranty claim and to perform any testing Oceanic deems necessary to determine the cause of the defect. This warranty shall be interpreted under the laws of the state of Wisconsin.

For additional information regarding this limited warranty, please contact us at the addresses above, or call us at 800-255-4527.

BioCube Mini Ultraviolet Sterilizer

For Size 14 & Size 29
BioCube Aquariums



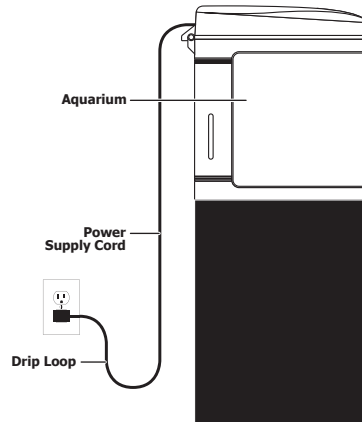
BioCube Mini Ultraviolet Sterilizer

Specifications

5 watts, 120V AC input, 12V DC output, 60Hz

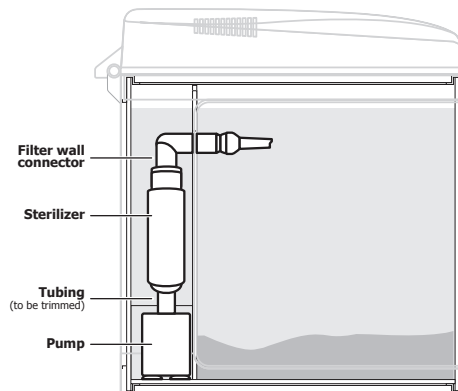
BioCube Safety Instructions

1. Ultraviolet-C light is damaging to the skin and eyes. Always unplug sterilizer before servicing. Do not operate the mini ultraviolet sterilizer without protective shielding around bulb.
2. Never plug or unplug mini ultraviolet sterilizer or any electrical device with wet hands.
3. A "drip loop" must be used with this device to prevent water from running into the outlet.
4. Do not run mini ultraviolet sterilizer dry.



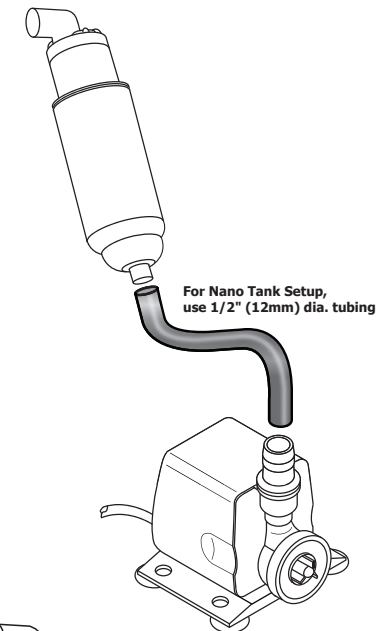
BioCube Mini Ultraviolet Sterilizer BioCube Setup Instructions

1. Unplug BioCube return pump. Remove BioCube pump, tubing, and filter wall connector from filter.
2. Use included tubing to connect bottom of mini ultraviolet sterilizer to pump.
3. Place pump and mini ultraviolet sterilizer back into BioCube.
4. Connect top of mini ultraviolet sterilizer to BioCube filter wall outlet. Top of mini ultraviolet sterilizer takes the place of the filter wall connector.
5. Plug in pump and mini ultraviolet sterilizer.
6. Note date of installation. Bulb unit should be replaced every 10-12 months to maintain function.



BioCube Mini Ultraviolet Sterilizer Nano Tank Setup Instructions

1. BioCube mini ultraviolet sterilizer is designed for full or partially submerged internal aquarium use only. Do not use outside of the aquarium.
2. Connect pump to bottom of mini ultraviolet sterilizer with 1/2" or 12 mm I.D. tubing. Pump should not exceed 300 gph; ultraviolet works optimally at 100-200 gph.
3. Replace BioCube outlet adapter with flexible tubing connector if necessary.
4. Connect flexible tubing to outlet and return back to aquarium.



BioCube Mini Ultraviolet Sterilizer Bulb Unit Replacement Instructions

1. Unplug BioCube mini ultraviolet sterilizer.
2. Disconnect transformer from bulb unit.
3. Unscrew bulb unit from sterilizer body.
4. Replace bulb unit with new component.
5. Connect transformer to new bulb unit.

