

LIMITED WARRANTY

Coralife warrants that this product shall be free from defective electrical components and leaks or cracks due to defects in materials or workmanship for a period of twelve months from the date of purchase. If a defect is shown, Coralife will, at Coralife's sole discretion, either repair or replace the product without charge. No cash refunds will be made. This warranty is provided solely to the original consumer purchaser of the product and may not be transferred or assigned.

This warranty does not apply to damage resulting from accident, misuse, abuse, lack of reasonable care, failure to follow safety and installation instructions, use of the product with non-standard electrical service, or any other defect not resulting from defects in the electrical components of the product or defects in materials or workmanship. This warranty will not be effective unless and until the Coralife product is shown to have been used in accordance with the safety and installation instructions accompanying the product, including the requirement that the product be placed on a flat, level surface designed to support the product.

THIS CONSTITUTES CORALIFE'S ENTIRE WARRANTY AND CORALIFE MAKES NO OTHER WARRANTIES, WHETHER EXPRESS OR IMPLIED, WITH RESPECT TO THE PRODUCT. CORALIFE SPECIFICALLY DISCLAIMS ANY AND ALL IMPLIED WARRANTIES, INCLUDING, WITHOUT LIMITATION, WARRANTIES OF MERCHANTABILITY AND FITNESS FOR A PARTICULAR PURPOSE. IF CORALIFE CANNOT LAWFULLY DISCLAIM IMPLIED WARRANTIES UNDER THIS LIMITED WARRANTY, ALL SUCH WARRANTIES, INCLUDING WARRANTIES OF MERCHANTABILITY AND FITNESS FOR A PARTICULAR PURPOSE ARE LIMITED IN DURATION TO THE DURATION OF THIS WARRANTY.

CORALIFE IS NOT RESPONSIBLE FOR DIRECT, SPECIAL, INCIDENTAL OR CONSEQUENTIAL DAMAGES RESULTING FROM ANY BREACH OF WARRANTY OR CONDITION, OR UNDER ANY OTHER LEGAL THEORY. CORALIFE EXPRESSLY DISCLAIMS ALL ALLEGED DAMAGES FOR LOSS OF AQUATIC LIFE, PERSONAL INJURY, AND/OR PROPERTY DAMAGE. Some states and provinces do not allow the exclusion or limitation of incidental or consequential damages or exclusions or limitations on the duration of implied warranties or conditions, so the above limitations or exclusions may not apply to you. This warranty gives you specific legal rights, and you may also have other rights that vary by state or province.

Coralife shall not have any obligations under this warranty unless the owner notifies Coralife in writing of any alleged defect(s) within 30 days of discovery of the defect(s). Any notice to Coralife must be delivered by United States or electronic mail to one of the following addresses:

U.S. Mail

Coralife
5401 W. Oakwood Park Drive
Franklin, Wisconsin 53132

Electronic Mail

customerservice@coralifeproducts.com

Coralife shall be allowed a reasonable period of time to investigate any warranty claim and to perform any testing Coralife deems necessary to determine the cause of the defect. This warranty shall be interpreted under the laws of the state of Wisconsin.

For additional information regarding this limited warranty, please contact us at the addresses above, or call us at 888-255-4527.



CORALIFE®

Bio CUBE®

Size 14 Instructions

Please read these instructions in their entirety before attempting to use this product.



Coralife®

A product of Central Aquatics
(Division of Central Garden & Pet Co.)

Franklin, WI 53132

888.255.4527 coralifeproducts.com

Coralife® is a registered trademark of Central Garden & Pet Co.
©2011 Central Garden & Pet Co.

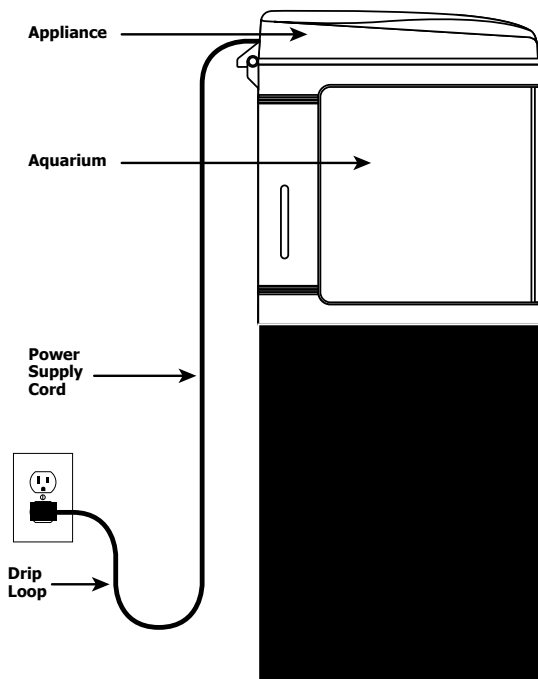
IMPORTANT SAFETY INSTRUCTIONS

1. **WARNING** – To guard against injury, basic safety precautions should be observed, including the following:

READ AND FOLLOW ALL SAFETY INSTRUCTIONS.

2. **DANGER** – To avoid possible electric shock, special care should be taken since water is employed in the use of aquarium equipment. For each of the following situations, do not attempt repairs by yourself; return the appliance to an authorized service facility for service or discard the appliance:
 - A. If the appliance falls into the water, **DON'T** reach for it! First unplug it and then retrieve it. If electrical components of the appliance get wet, unplug the appliance immediately.
 - B. If the appliance shows any sign of abnormal water leakage, immediately unplug it from the power source.
 - C. Carefully examine the appliance after installation. It should not be plugged in if there is water on parts not intended to be wet.
 - D. Do not operate any appliance if it has a damaged cord or plug, or if it is malfunctioning or has been dropped or damaged in any manner.
 - E. To avoid the possibility of the appliance plug or receptacle getting wet, position aquarium stand and tank to one side of a wall-mounted receptacle to prevent water from dripping onto the receptacle or plug. A "drip loop," shown in figure below, should be arranged by the user for each cord connecting an aquarium

FIGURE 1



appliance to a receptacle. The "drip loop" is that part of the cord below the level of the receptacle, or the connector if an extension cord is used, to prevent water traveling along the cord and coming in contact with the receptacle. If the plug or receptacle does get wet, **DON'T** unplug the cord. Disconnect the fuse or circuit breaker that supplies power to the appliance. Then, unplug and examine for presence of water in the receptacle.

3. Close supervision is necessary when any appliance is used by or near children.
4. To avoid injury, do not contact moving parts or hot parts such as heaters, reflectors, lamp bulbs, and the like.
5. Always unplug an appliance from an outlet when not in use, before putting on or taking off parts, and before cleaning. Never yank cord to pull plug from outlet. Grasp the plug and pull to disconnect.
6. Do not use an appliance for other than intended use. The use of attachments not recommended or sold by the appliance manufacturer may cause an unsafe condition.
7. Do not install or store the appliance where it will be exposed to the weather or to temperatures below freezing.
8. Make sure an appliance mounted on a tank is securely installed before operating it.

9. Read and observe all the important notices on the appliance.
10. If an extension cord is necessary, a cord with a proper rating should be used. A cord rated for less amperes or watts than the appliance rating may overheat. Care should be taken to arrange the cord so that it will not be tripped over or pulled.
11. For added safety, the fixture must be plugged into a receptacle controlled by a GFI (ground fault interrupter) circuit breaker. Device must be properly connected to a grounded three-prong receptacle.
12. Do not use this appliance in such a way that the vents are restricted or blocked. These vents are necessary to avoid over-heating and insure safe operating temperature.
13. This appliance is intended FOR HOUSEHOLD USE ONLY.

SAVE THESE INSTRUCTIONS!

IMPORTANT SAFETY INFORMATION: Please read the following precautions before use!

1. To reduce the risk of electric shock, always unplug the pump and power cords before performing any maintenance. Do not submerge canopy.
2. Never allow small children to touch, climb-on, or play with the aquarium or its stand. Adult supervision is required.
3. Never place an aquarium on the floor, it can cause injury or become damaged.
4. Never set an aquarium on an unsteady or unsupported structure, such as those which are unable to support the weight of a filled aquarium, are suspended, can rock or sway, can sag, or on wheels or allows the aquarium to over-hang. These could cause the aquarium to leak, crack, or even fall over if a top heavy situation is created.
5. Aquarium supports that are less than 12" wide (front and back) should be fastened or tethered to a wall to prevent a top heavy or unstable condition.
6. Do not allow water pump to operate dry at any time.
7. Always observe proper maintenance to ensure optimal operation.

HANDLE WITH CARE! Always handle aquarium with care to avoid personal injury.

1. Never lift or attempt to move an aquarium that is not completely empty, partially full or filled.
2. Never lift an aquarium with wet hands.
3. Never attempt to lift an aquarium by grasping the upper edges of the frame or from the canopy.
4. Always lift or carry an empty aquarium by supporting it from the bottom of the tank.

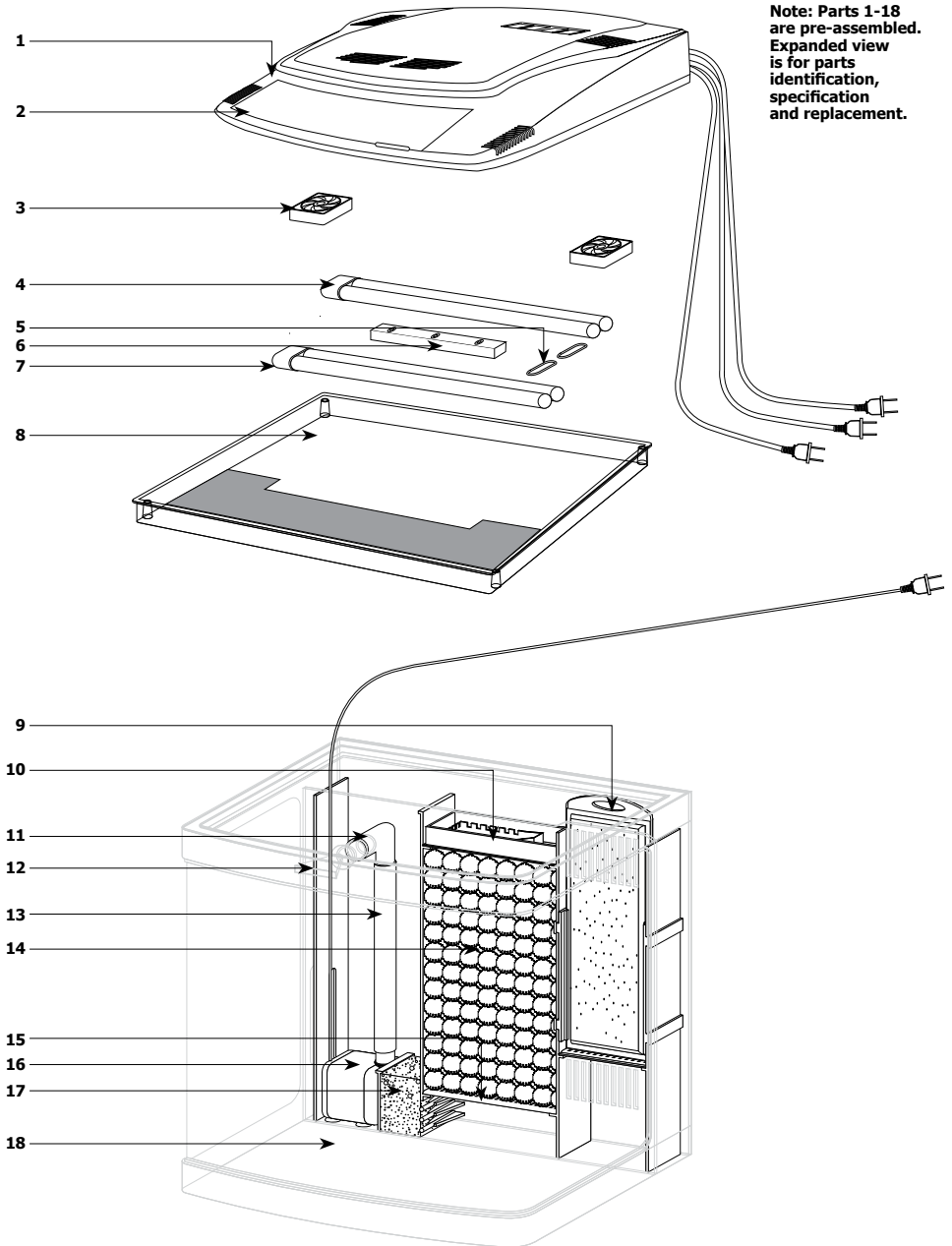
AQUARIUM LOCATION

1. For best results, place an aquarium in a location best suited to support the total weight of the aquarium. The filled weight of an aquarium is approximately 10-12 lbs. per gallon of water and add the weight of sand, gravel, rocks or decorations.
2. Always place an aquarium in a flat and level area.
3. Avoid placing an aquarium where it will receive direct sunlight. Full or even partial sunlight can cause algae growth.
4. Keep aquarium in a well ventilated area away from a heating or cooling vent.
5. Do not place near electronic components and systems (i.e. TV, stereo systems, etc.).

PARTS DIAGRAM

FIGURE 2

Note: Parts 1-18 are pre-assembled. Expanded view is for parts identification, specification and replacement.



PARTS IDENTIFICATION

Part #	Item Description
1	Canopy
2	Access Panel
3	Cooling Fans (2)
4	Actinic Compact Fluorescent Lamp
5	Silicon Retaining Band (2 pk)
6	Lunar Blue LED Light Bar (3 LEDs)
7	10,000K Daylight Compact Fluorescent Lamp
8	Light Lens Cover
9	Filter Cartridge – fits size 8, 14, and 29
10	Overflow Tray
11	Output Elbow Attachment
12	Output Discharge Nozzle
13	Flexible Tubing, .5" I.D. tubing
14	Bio-Balls
15	Bio-Ball Strainer
16	Water Pump
17	Sponge Filter
18	Glass Aquarium

PRODUCT SPECIFICATION

BioCube: Size 14

Dimension:

15"l x 15.5"w x 16.5"h

Canopy Lighting:

1-24 Watt

True Actinic 03 Blue Straight Pin

1-24 Watt

10,000K Daylight Straight Pin

1-.75 Watt

Lunar Blue LED Bar

Extra receptor for 1 additional LED Bar
(sold separately)

Cooling Fans: 50 mm, 8.4 CFM, 22Db

Pump Flow Rate:

180 gph (700 L/H)

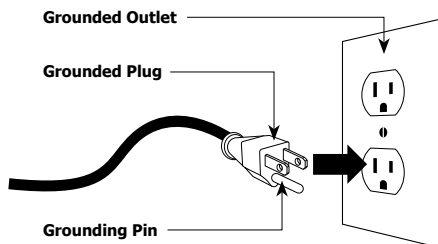
GROUNDING

Grounding Setup:

This appliance should be grounded to minimize the possibility of electric shock. This appliance is equipped with an electric cord having an equipment grounding conductor and a grounding type plug. The plug must be plugged into an outlet that is installed and grounded in accordance with all appropriate codes and ordinances.

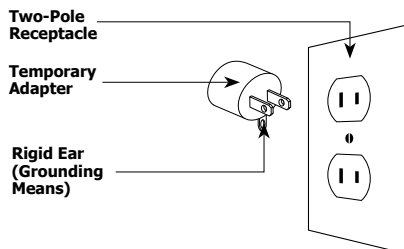
This appliance is for use on a nominal 120-volt circuit, and has a grounding plug that looks like the plug illustrated in Figure 3.

FIGURE 3



A temporary adapter which looks like the adapter shown (Figure 4) may be used to connect this plug to a two-pole receptacle as shown in Figure 3, if a grounded outlet is not available. The temporary adapter should be used only until a grounded outlet can be installed by a qualified electrician. (Temporary adapter not included.)

FIGURE 4

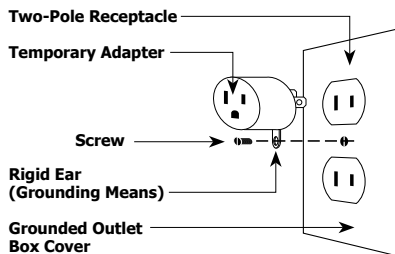


Grounding Installation:

The green-colored ground terminal (screw, and the like) extending from the adapter must be fastened to a permanent ground such as a grounded outlet box.

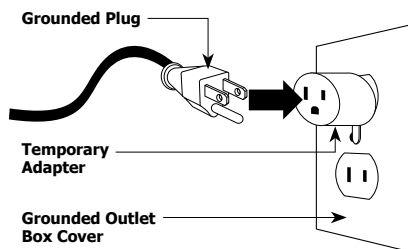
1. Plug temporary adapter into two-pole outlet (Figure 5).

FIGURE 5 TWO-POLE OUTLET



2. Insert screw through rigid ear on temporary adapter and into grounded outlet box (Figure 6).

FIGURE 6



Power Strip Setup

1. If using a powerstrip, the ground connector must be plugged into a receptacle controlled by a GFI (ground fault interrupter) circuit breaker.
2. Make sure to place the power strip in a dry and safe area away from the aquarium in order to avoid moisture.
3. Place power strip in a secure and stable area so that it cannot fall into the aquarium or sump.
4. Make sure all receptacles are protected from water: splash, spilling and evaporation.

ASSEMBLY

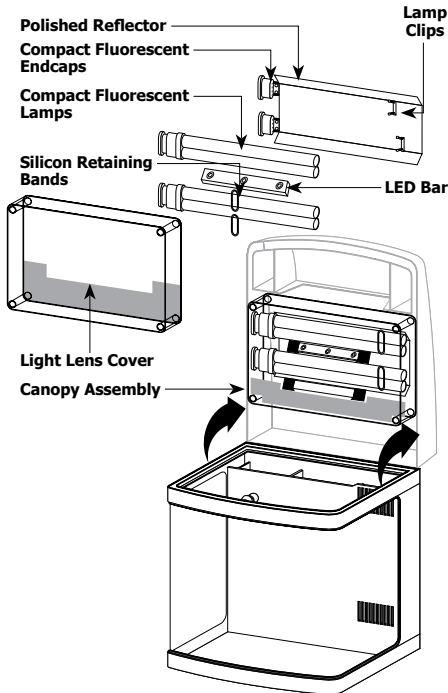
Safety Precautions:

1. Do not plug BioCube into an outlet or power source until setup and installation is completed.
2. Visually inspect the aquarium and canopy prior to installation to make sure it has not been damaged.

Canopy Assembly

1. Lift canopy from aquarium and visually check the assembly to verify that the light lens cover, compact fluorescent lamps and LED bar have not been broken, damaged or dislodged (Figure 7).
2. Make sure that lamps are securely inserted into the compact fluorescent endcaps and that the retaining bands are attached to the lamp clips holding the compact fluorescent lamps in place.

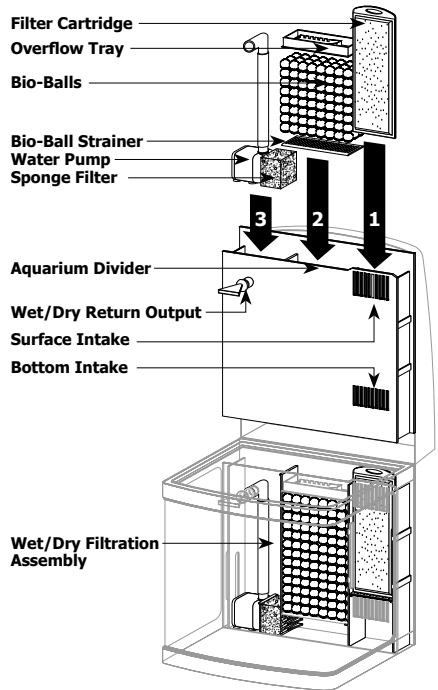
FIGURE 7



Wet/Dry Filter Assembly

1. Make sure that the BioCube filter cartridge is properly inserted at the 1st chamber of the wet/dry section (Figure 8).
2. Make sure that the overflow tray, bio-balls and bio-ball strainer are properly placed inside the 2nd chamber of the wet/dry section.
3. Make sure that the sponge filter is correctly placed in the 3rd chamber of the wet/dry section.
4. Make sure that the water pump is properly assembled and connected to the wet/dry return output.

FIGURE 8

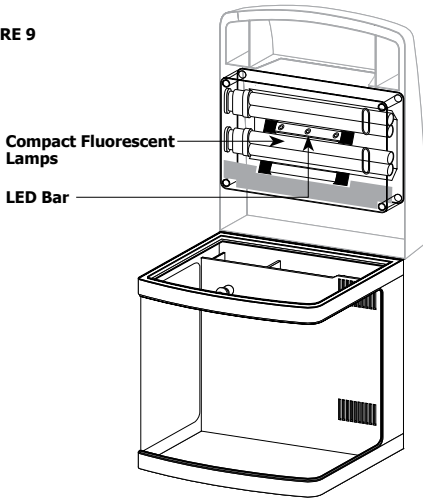


OPERATION

Lighting Start-Up Operation

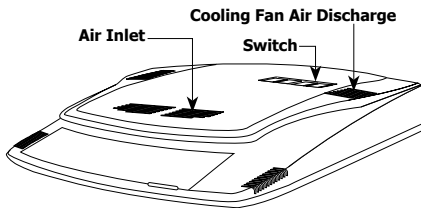
1. Plug ballast power cords into an outlet or power source and turn the switches on (Figure 10).
2. Verify that all lamps are lit and functioning properly (Figure 9).

FIGURE 9



4. Make sure that the cooling fans are on and blowing across the unit.

FIGURE 10



WARNING:

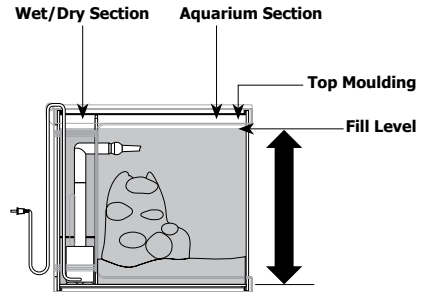
Do not obstruct cooling fan air input and cooling fan air discharge.

Keep canopy vents clean from dust and debris.

Wet/Dry Filter Start-Up Operation

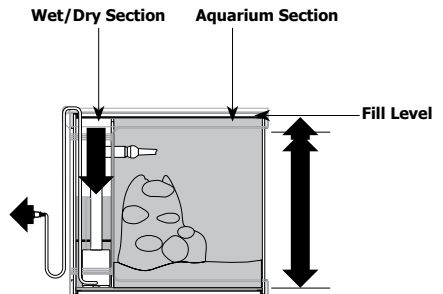
1. Open canopy and remove filter cartridge. Rinse thoroughly with cool freshwater and reinstall in 1st chamber.
2. Rinse substrate, sand, gravel, rocks, driftwood, plants and ornaments and add to aquarium.
3. Prepare aquarium water (saltwater/freshwater). Make sure water is at room temperature to prevent condensation.
4. Open canopy and slowly add water to the aquarium. Make sure to fill aquarium up to the lower edge of the top moulding (Figure 11).

FIGURE 11



5. Plug water pump power cord into an outlet or power source. Pump will raise water level in aquarium section and drain into wet/dry section (Figure 12).

FIGURE 12



OPERATION

Wet/Dry Filtration

Observe and make sure that the water circulation is flowing properly from the aquarium section through the wet/dry section.

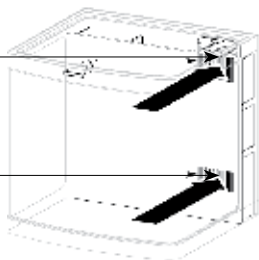
Step 1:

Water proceeds into surface and bottom intake.

FIGURE 13

Surface Intake

Bottom Intake

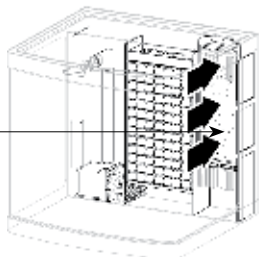


Step 2:

Water passes through filter cartridge.

FIGURE 14

Filter Cartridge
(Mechanical
Filtration
and Chemical
Filtration)

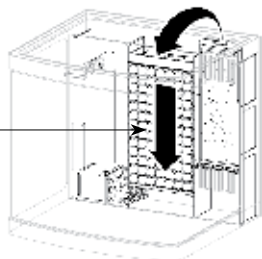


Step 3:

Water flows into the overflow tray, trickles down the bio-balls and through the bio-ball strainer.

FIGURE 15

Bio-Balls
(Biological
Filtration)



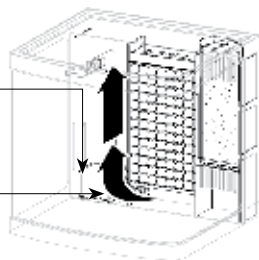
Step 4:

Water goes through the sponge filter into the water pump.

FIGURE 16

Water Pump

Sponge Filter
(Micro-Bubble
Diffuser)

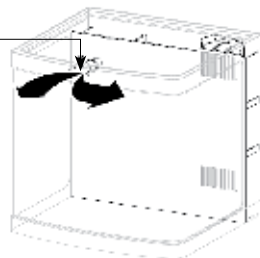


Step 5:

Water is pumped into the aquarium through the output discharge nozzle.

FIGURE 17

Output
Discharge
Nozzle



PRECAUTIONS:

For optimal filter performance

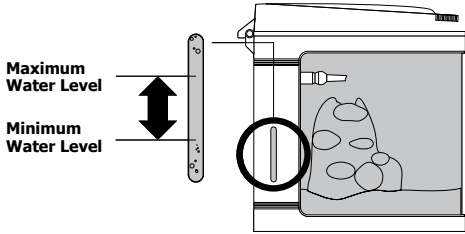
1. Do not block or obstruct surface intake and bottom intake.
2. Do not block or obstruct output discharge nozzle.
3. Perform scheduled maintenance on filter cartridge.
4. Observe scheduled maintenance on water pump.
5. Make sure to perform scheduled water changes and BioCube filtration maintenance.

MAINTENANCE

WARNING!

Make sure all switches are in the off position and unplug power cords from power source or outlet before performing any maintenance.

FIGURE 18



Daily Maintenance

1. Visually observe the BioCube lighting and filtration to make sure that the system is functioning properly.
2. Check water level. Make sure to replace evaporated water with freshwater to replenish water supply (Figure 18).

Note: Use only freshwater to replace evaporated water for both freshwater and saltwater setup.

Caution: Do not top off water above the maximum water level. Do not let water get below the minimum water level.

Weekly Maintenance

1. Keep BioCube surfaces clean from dust and debris. Wipe exposed surfaces with a clean and dampened soft terrycloth.
2. Open canopy and wipe down light lens cover with a clean and dampened soft terrycloth.
3. Inspect filtration system for clogging and excessive accumulation of debris. Clean and remove debris from surface, bottom intake and overflow tray. Rinse parts if needed.

Note: Do not clean bio-balls. Cleaning the bio-media is harmful to beneficial nitrifying bacteria needed to break down ammonia and nitrites.

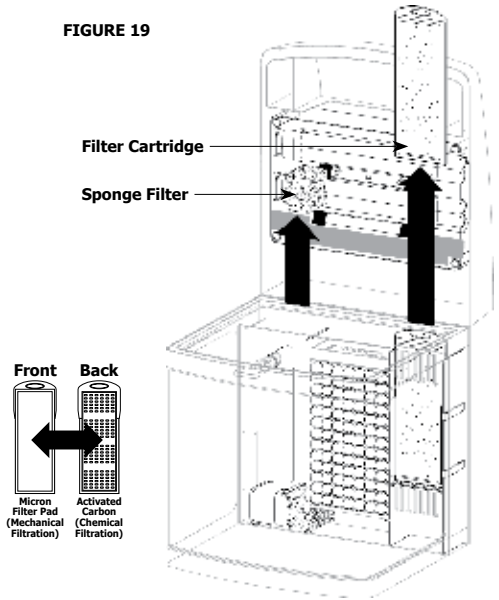
Monthly Maintenance

1. Remove used filter cartridge and discard (Figure 19). Replace with new cartridge.

Note: Make sure to rinse new filter cartridge with cool freshwater before installing inside BioCube.

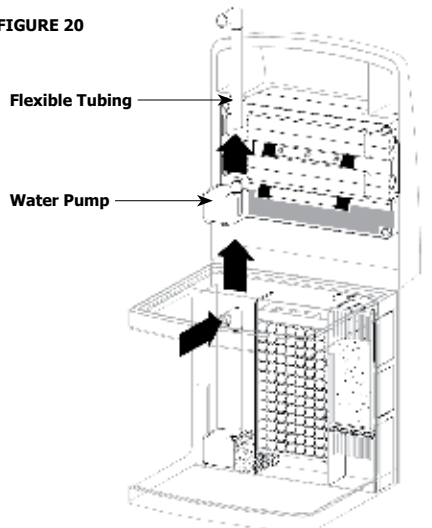
2. Remove sponge filter from wet/dry section. Rinse and clean sponge with cool freshwater to remove accumulated organic buildup (Figure 19).

FIGURE 19



3. Disconnect water pump assembly from output elbow attachment and detach pump from flexible tubing (Figure 20).

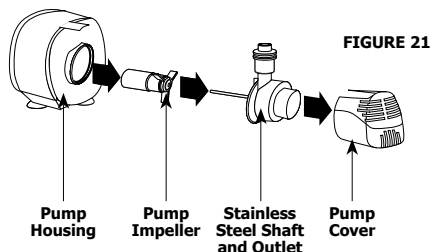
FIGURE 20



MAINTENANCE

4. Disassemble pump and impeller. Rinse and wipe down all parts to dislodge debris and particulate matter (Figure 21).

Note: If calcium buildup is present, soak in a vinegar solution with 1 part vinegar : 1 part water for 1 hour and rinse thoroughly.

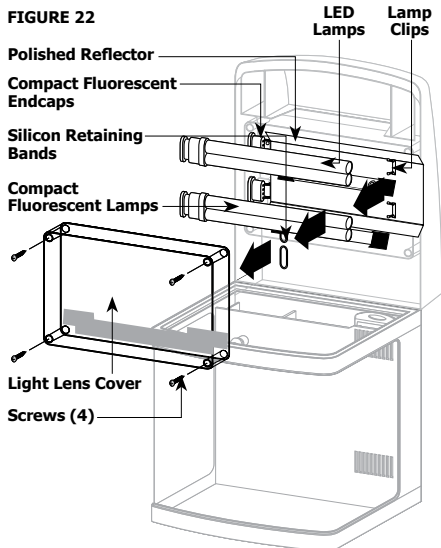


9 - 12 MONTH MAINTENANCE

Caution: Let lamps cool down before handling.

Note: Replace compact fluorescent lamps annually.

1. Open canopy and unscrew light lens cover (Figure 22).



2. Remove the silicon retaining band from the lamp clip.
3. Carefully lift lamp-end free from lamp clip.
4. Gently disconnect compact fluorescent lamp from endcap. Remove and dispose of lamp properly.
5. Install new compact fluorescent lamp to the canopy.

Note: Make sure the lamp is fully seated in the endcap.

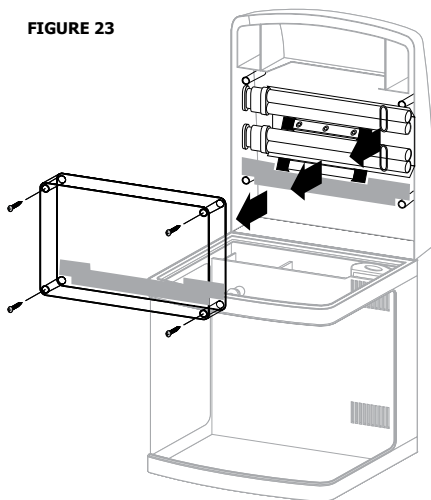
6. Replace silicon retaining band onto lamp clip to secure the compact fluorescent lamp.
7. Attach light lens cover to canopy.

Replacing/Adding LED Bars

Caution: Let lamps cool down before handling. Unplug all power cords.

1. Open canopy and unscrew and remove light lens cover (Figure 23).

FIGURE 23



2. Carefully push back LED bar clip and lift, then pull LED bar contact end away from LED contact to remove.
3. To replace, insert LED bar contact end into LED contact. Push down on LED bar clip to allow LED bar clip to click the LED bar into place.

Note: Make sure the LED bar is fully seated.

7. Attach light lens cover to canopy.

FIGURE 24

