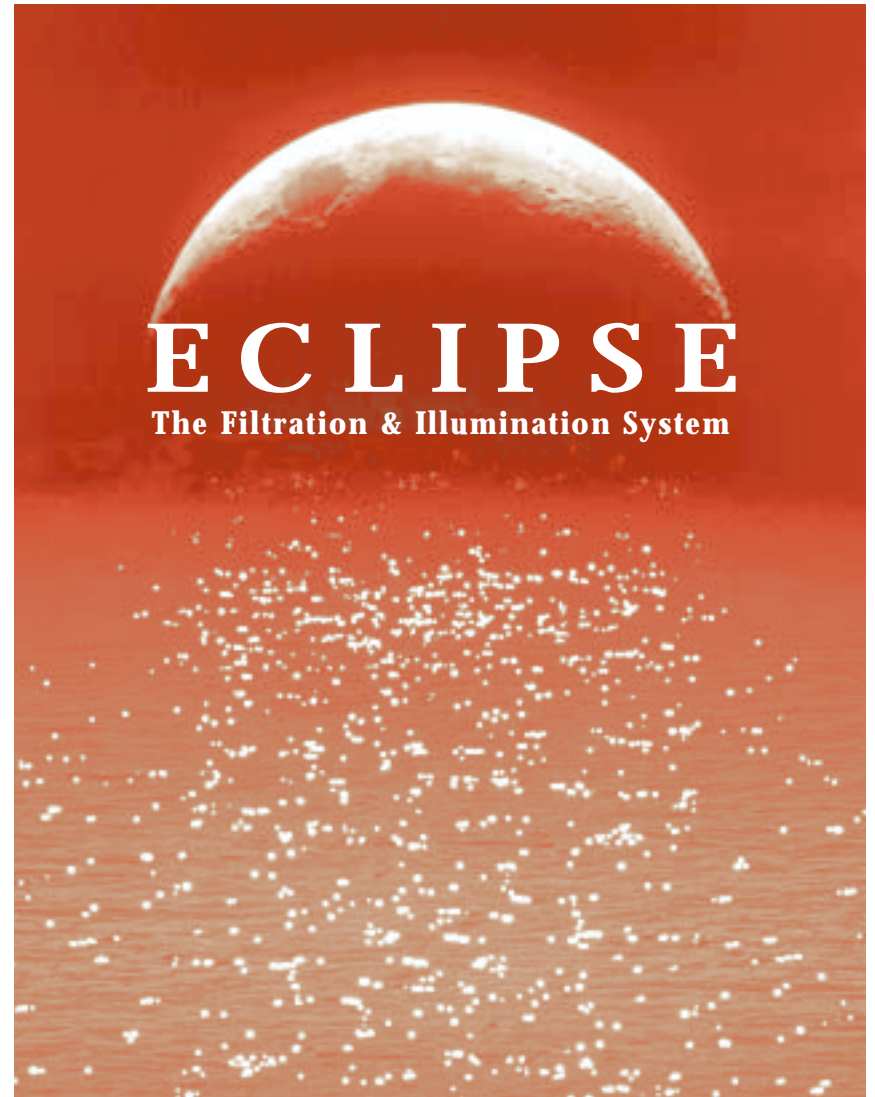




The Eclipse is listed by Underwriters Laboratories to ensure that it meets stringent U.S. and Canadian safety requirements.



Marineland, Eclipse, BIO-Wheel and Black Diamond are trademarks of AQUARIA, Inc.



ECLIPSE

The Filtration & Illumination System

OWNER'S MANUAL
ECLIPSE₁ • ECLIPSE₂ • ECLIPSE₃

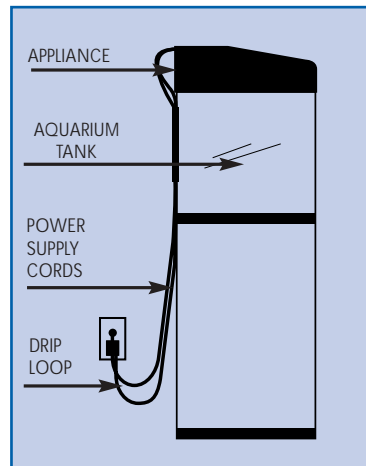
IMPORTANT SAFEGUARDS

WARNING – To guard against injury, basic safety precautions should be observed, including the following.

READ AND FOLLOW ALL SAFETY INSTRUCTIONS

DANGER – To avoid possible electric shock, special care should be taken in the use of aquarium equipment. For each of the following situations, do not attempt repairs yourself; return the appliance to an authorized service facility for service or discard the appliance.

1. A. If the appliance falls into the water, DON'T reach for it! First unplug it and then retrieve it. If electrical components of the appliance get wet, unplug the appliance immediately.
B. If the appliance shows any sign of abnormal water leakage, immediately unplug from the power source.
C. Carefully examine the appliance after installation. It should not be plugged in if there is water on parts not intended to be wet.
D. Do not operate any appliance if it has a damaged cord or plug, or if it is malfunctioning or if it is dropped or damaged in any manner.
E. To avoid the possibility of the appliance plug or receptacle getting wet, position aquarium stand and tank to one side of a wall mounted receptacle to prevent water from dripping onto the receptacle or plug. A "drip loop", shown in the Figure at right should be arranged by the user for each cord connecting an aquarium appliance to a receptacle.



The "drip loop" is that part of the cord below the level of the receptacle or the connector, if an extension cord is used, to prevent water traveling along the cord and coming in contact with the receptacle. If the plug or receptacle does get wet, DON'T unplug the cord. Disconnect the fuse or circuit breaker that supplies power to the appliance. Then unplug and examine for presence of water in the receptacle.

2. Close supervision is necessary when any appliance is used by or near children.
3. To avoid injury, do not contact moving parts or hot parts such as heaters, reflectors, lamp bulbs, etc.
4. Always unplug an appliance from an outlet when not in use, before putting on or taking off parts, and before cleaning. Never yank cord to pull plug from outlet. Grasp the plug and pull to disconnect.
5. Do not use an appliance for other than intended use. The use of attachments not recommended or sold by the appliance manufacturer may cause an unsafe condition.
6. Do not install or store the appliance where it will be exposed to the weather or to temperatures below freezing.
7. Make sure an appliance mounted on a tank is securely installed before operating it.
8. Read and observe all the important notices on the appliance.
9. If an extension cord is necessary, a cord with a proper rating should be used. A cord rated for less amperes or watts than the appliance rating may overheat. Care should be taken to arrange the cord so that it will not be tripped over or pulled.
10. This appliance has polarized plugs (one blade is wider than the other). As a safety feature, the plugs will fit in a polarized outlet only one way. If the plug does not fit fully in the outlet, reverse the plug. If it still does not fit, contact a qualified electrician. Never use with an extension cord unless plug can be fully inserted. Do not attempt to defeat this safety feature.

SAVE THESE INSTRUCTIONS

ECLIPSE®

For Healthier Fish, Thriving Plants, Superior Water Quality



Transforms An Ordinary Aquarium Into An Extraordinary Aquarium.

The Eclipse top-mounted system puts lighting, filtration and maintenance at your fingertips...combining simple, elegant styling with superior performance and efficiency. And Eclipse features the Marineland BIO-Wheel®...undisputed leader in biological filtration.

Total Filtration, BIO-Wheel Efficiency

Under the Eclipse hood is a 3-stage system of total filtration efficiency. The Eclipse Filter Cartridge supplies both mechanical and chemical filtration. For mechanical filtration, there's a dual-density polyfiber filter pad to trap dirt and debris. For chemical filtration, each cartridge is packed with Black Diamond Premium Activated Carbon...the best there is. And when it comes to biological filtration, the patented BIO-Wheel is the absolute best at eliminating toxic ammonia and nitrite from aquarium water. Years of continuing laboratory tests and field evaluation prove it.

Full Spectrum, Easy-Access Lighting

Enclosed in a clear, water-protected housing, the specially selected fluorescent daylight lamp (two on Eclipse_{1TL}, Eclipse₂ and Eclipse₃) is ideal for plant growth and ornamental fish color enhancement. Hinged for easy access, it lifts effortlessly for water changes and general maintenance.

At-Your-Fingertips Convenience

A unique combination of beauty, precision and functionality, Eclipse requires virtually no assembly and installs in seconds. The custom light housing and filtration access panel operate independently for maximum convenience. The Eclipse easily accommodates accessories such as heaters and airline tubing...and because all filtration media is *inside* the top mounted unit, the Eclipse has minimal rear space requirements for against-the-wall placement.

REPLACEMENT PARTS LIST

KEY	ITEM DESCRIPTION	ECLIPSE ₁	ECLIPSE ₂	ECLIPSE ₃
1	Filtration Access Panel*	PR3000	PR3001	PR3002
2	Hinge-Pin Set (pkg. 2)*	PR3010	PR3010	PR3010
3	BIO-Wheel Assembly*	PR3020	PR2140	PR2002
4	BIO-Wheel Bearings (pkg. 2)*	PR2141	PR2141	PR2141
5	Replacement Lamp			
	18" (T8 - 15 watts)*	PR3030	PR3030	N/A
	24" (T8 - 20 watts)*	N/A	N/A	PR3031
6	Lamp Base Assembly - (single)*	PR3032		
	Lamp Base Assembly - (twin)*	PR3039	PR3033	PR3034
7	Lamp Lens Cover*	PR3035	PR3035	PR3036
8	Lens Cover Fasteners (pkg. 3)*	PR3037	PR3037	PR3037
9	Accessory Port Cover*	PR3040	PR3040	PR3040
10	Outlet Flow Diverter*	PR3043	PR3044	PR3043
11	Flexible Pump Mount*	PR3085	PR3085	PR3085
12	Pump Motor Assembly	PR3080	PR3081	PR3082
13	Impeller Assembly*	PR3087	PR3088	PR3089
14	Impeller Housing*	PR3083	PR3084	PR3084
15	Intake Tube Coupler	N/A	PR3061	PR3061
16	Intake Tube	PA1341	PA1240	PA1240
17	Intake Strainer	PA1462	PA1241	PA1241
NS	Cord Organizer	PR3070	PR3071	PR3071

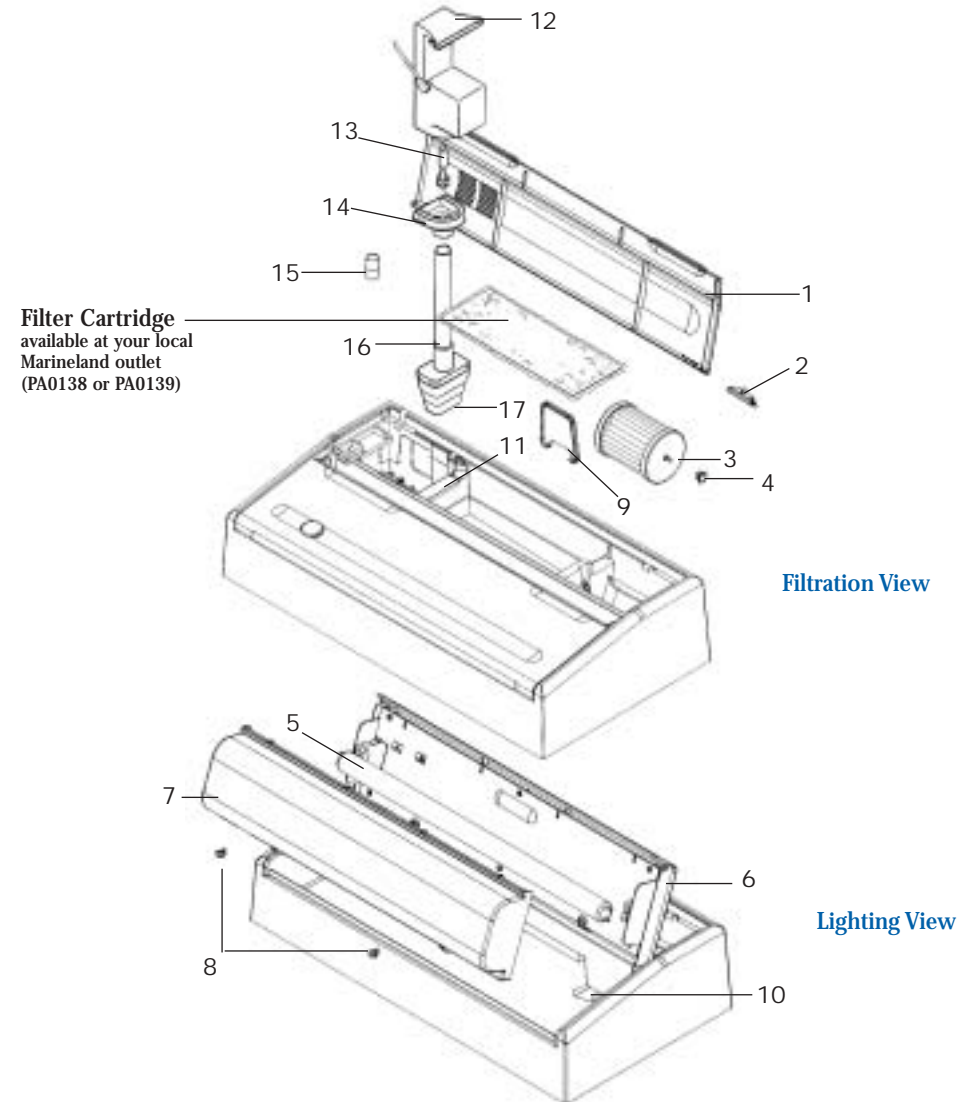
*** PLEASE NOTE: Asterisked parts come preassembled with your new system. Exploded view is for identification of REPLACEMENT parts only.**

CUSTOMER SERVICE INFORMATION

For additional assistance or to order parts direct, you may call the Marineland Customer Service Department at (800) 322-1266 M-F between the hours of 8AM and 5PM (PST). Please have your manual and MasterCard or VISA ready when ordering.

NOTE: Eclipse Filter cartridges are not sold as replacement parts. They may be purchased at your local Marineland retail outlet in single or three packs (PA0138 or PA0139).

PARTS DIAGRAM & IDENTIFICATION



ASSEMBLY/OPERATIONAL INSTRUCTIONS

10 simple steps to final assembly and installation of your new Eclipse System.

ECLIPSE₁: Fits 10" x 20" aquarium frames (10 gallon, 15 or 18 'high')

ECLIPSE₂: Fits 12" x 24" aquarium frames (15 gallon, 20 or 25 'high')

ECLIPSE₃: Fits 12" x 30" aquarium frames (20 'long', 29 or 37 gallon)

Assembly/Operational and Maintenance instructions for the Eclipse₁, Eclipse₂ and Eclipse₃ are virtually identical. For this reason, and in the interest of avoiding confusion, the sections that follow feature diagrams for the Eclipse₁ model only. You will find that the steps pictured are readily applicable to the Eclipse₂ and Eclipse₃ models as well. Any variations are noted.

Most parts are preassembled and do not require disassembly prior to installation. We recommend that you read the Maintenance section that follows to familiarize yourself with the overall operation of the Eclipse System.

STEP 1. INSTALL ECLIPSE UNIT

Fill aquarium to frame level. Place Eclipse unit on top of aquarium.

STEP 2. REMOVE FILTRATION ACCESS PANEL

Open **Filtration Access Panel** and slide **Hinge Pin** (Fig.1) inward toward center of panel to unlock. Lift panel away and set aside.

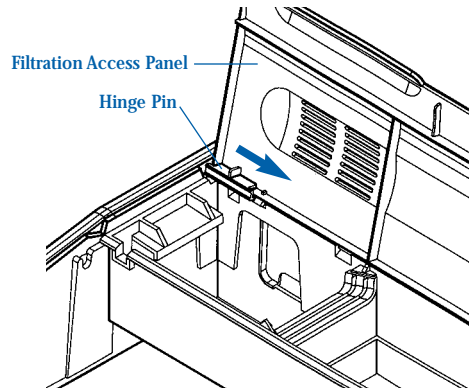


FIGURE 1

STEP 3. PREPARE LIGHTING

Open Lamp Housing. Visually inspect Lamp and Lamp connections to confirm that Lamp has not been damaged or dislodged in transit. If damage has occurred, call Marineland Customer Service for replacement.

Taking care to prevent ballast from falling into water, pass **Light Cord** under **Router** and out through **Cord Slot** (Fig. 2).

NOTE: You may want to attach **Light Cord** to a timing device to ensure that **Lamps** light at selected intervals.

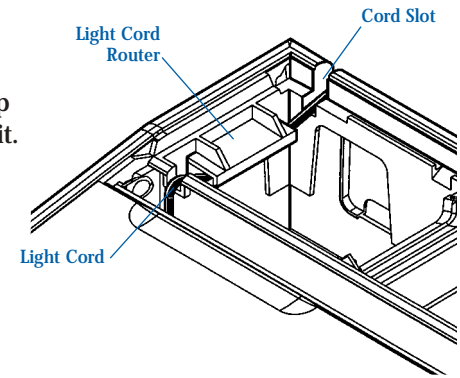


FIGURE 2

STEP 4. INSTALL ECLIPSE CARTRIDGE

Rinse Eclipse Filter Cartridge thoroughly under cold water to remove any dust. Shake cartridge horizontally (blue side up) to evenly distribute carbon over ribbed back. Place Filter Cartridge into **Filter Cartridge Chamber** (blue side up - Fig. 3).

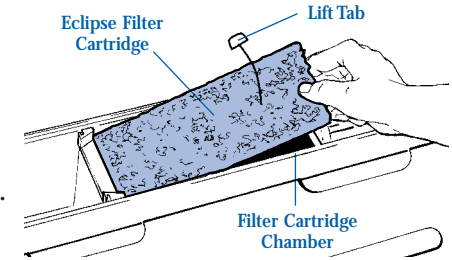


FIGURE 3

STEP 5: ASSEMBLE INTAKE TUBE AND STRAINER

Slip **Intake Strainer** onto end of **Intake Tube**. Insert opposite end of Intake Tube into Impeller Housing on bottom of Pump Motor Assembly (Fig. 4). For Eclipse₂ and Eclipse₃, the **Intake Tube Coupler** is used to join Intake Tube to **Pump Motor Assembly** (Fig. 5).

NOTE: Magnetic Impeller Assembly is already installed. Be sure that Intake Tube fits securely and does not wobble.

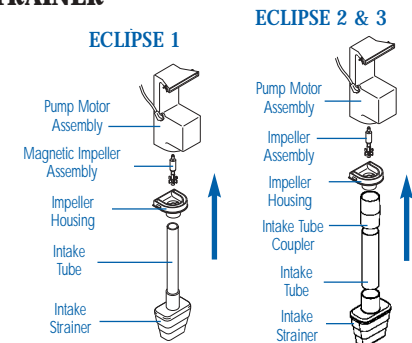


FIGURE 4

FIGURE 5

If you wish to install any optional accessories, i.e. heater or air line tubing, this is the ideal time to do so. Remove rear **Accessory Port Cover**; place accessory in desired location and route cord or tubing through **Port**. Replace Port Cover to secure accessory cords and prevent light “bleed” (Fig. 6).

NOTE: *Port Cover opening may be enlarged by cutting with scissors.*

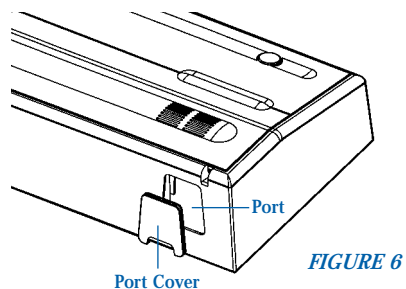


FIGURE 6

CAUTION: Always use submersible or frame-mounted heaters equipped with a splash-proof safety cover (cap). Make sure cap remains in place at all times.

STEP 6. INSTALL PUMP MOTOR ASSEMBLY

Place Pump Motor Assembly in **Flexible Pump Mount** (Fig. 7). This will ensure stability. If Pump Assembly is **not** properly seated in Flexible Pump Mount, filter will not operate correctly. Strainer should rest at least one inch above surface of aquarium gravel. If necessary, tube may be cut to allow this. Route pump cord through Cord Slot (with Light Cord).

NOTE: *Make sure that Magnetic Impeller Assembly, Intake Tube and Strainer are free of obstruction. Nothing in tank should come in contact with any part of the Pump Motor Assembly.*

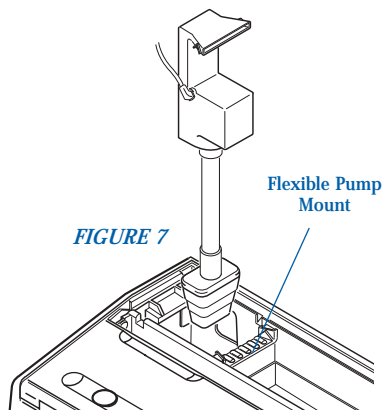


FIGURE 7

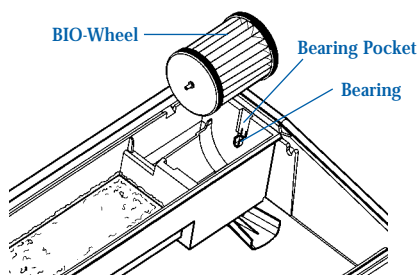


FIGURE 8

STEP 7. INSPECT BIO-WHEEL/ REPLACE FILTRATION PANEL

Make sure that **Bearings** are seated snugly into **Bearing Pockets** and that **BIO-Wheel** rotates freely (Fig. 8). Replace Filtration Access Panel and slide Hinge Pins outward to lock in place.

STEP 8. INSTALL CORD ORGANIZER

Remove red protective covering from adhesive strips on inside of **Cord Organizer**. Install on outside corner of aquarium as shown (Fig. 9). Gently press cords into Organizer clamp.

NOTE: *Organizer adhesive requires 24-hours to set completely.*

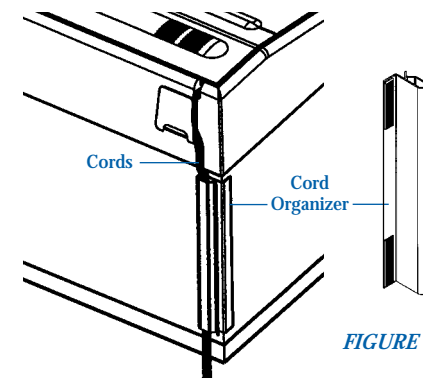


FIGURE 9

CAUTION: Choose Cord Organizer location carefully. Organizer Adhesive is very powerful. Attempts to remove Cord Organizer after installation may mar surface of aquarium.

STEP 9. START SYSTEM

IMPORTANT: Do not allow the Eclipse System to operate without water at any time.

Creating a drip loop (pgs. 2-3), plug cords into standard receptacle. Water will begin to flow through system immediately.

NOTE: *Do not force plug into a non-polarized receptacle. Adapters are available at most hardware stores.*

CAUTION: IF YOU CHOOSE TO USE AN OUTLET STRIP... Use only one that is properly approved and equipped with a fuse or circuit breaker.

Place outlet strip away from aquarium tank and make sure all receptacles are protected from water splash, spillage or vapor.

Frequently check electrical equipment and connections for signs of moisture, greenish corrosion or black, sooty residue (arcing). If evident, turn off power **IMMEDIATELY** and correct the problem.

STEP 10. SET WATER LEVEL AND ADJUST FLOW DIVERTER

Open **Light Housing**. If necessary, add water to aquarium until it reaches a level just below **BIO-Wheel Chamber**. Reach down under chamber and adjust **Flow Diverter** to desired angle (Fig. 10). Do not attempt to adjust past 90°...water may be directed out of tank.

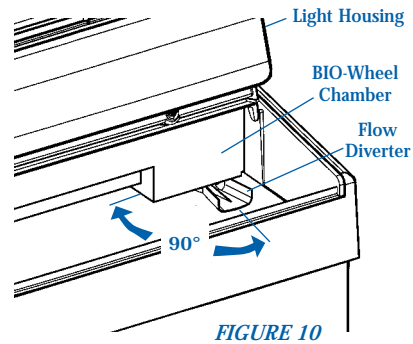


FIGURE 10

Press **Light Switch** to activate fluorescent lamp (Fig. 11).

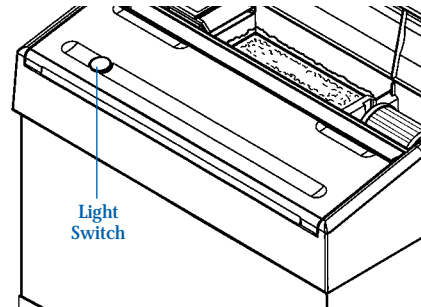


FIGURE 11

When creating a new aquarium environment, patience is the first key to success. Begin with a few fish, adding more fish gradually over a 4-6 week period. This allows the BIO-Wheel to establish a beneficial bacteria culture and develop peak operational efficiency. Also, a cultured BIO-Wheel can be transferred to other new aquarium environments to speed the break-in process.

Slow or irregular BIO-Wheel rotation is normal. A BIO-Wheel rotating at any speed is removing ammonia and nitrite. There is no reason to replace a BIO-Wheel unless it is damaged. If your BIO-Wheel fails to rotate or stops completely, consult the Troubleshooting section of this manual.

MAINTENANCE

CAUTION

NEVER submerge Eclipse in water.

NEVER use soap, abrasives or any other cleaning agent on or around filter or aquariums.

ALWAYS unplug pump and light cords before performing maintenance.

Proper system maintenance begins with frequent visual inspections to ensure normal system operation and non-stressful conditions for fish. The Eclipse Hinged Covers make it easy to inspect BIO-Wheel, change Eclipse Filter Cartridge (Fig. 12) or change Lamp(s) without removing the entire unit. Feeding and daily visual monitoring of Eclipse Filter Cartridge and BIO-Wheel rotation may be done through this open area.

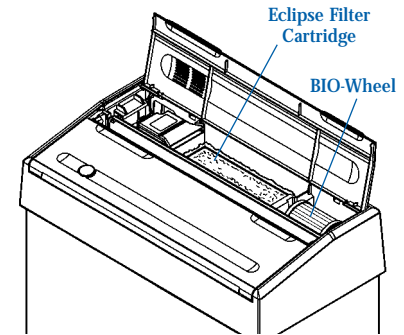


FIGURE 12

Basic aquarium maintenance includes regular 25% water changes (every 2-4 weeks) and gravel cleaning, as well as regular filter cartridge replacement (once a month, *minimum*). Inoperative equipment, excessive mechanical or water noise, cloudy and/or bad smelling water all require immediate attention.

We recommend the following complete maintenance procedure as needed (at least every month):

FILTRATION

1. Remove Filtration Access Panel. Remove BIO-Wheel. To avoid disturbing beneficial bacteria culture, handle a BIO-Wheel by the Ends and/or Axle (Fig. 13).

Gently clean BIO-Wheel Bearings and inspect for wear. It is not necessary to remove Bearings. If Bearings display inordinate wear, they may then be removed and replaced.

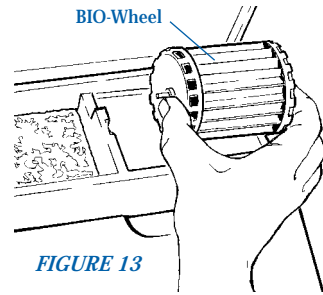


FIGURE 13

IMPORTANT: Every BIO-Wheel is preassembled at the factory. It should not be tampered with or disassembled. Discoloration of pleated material is normal and desirable. As long as a BIO-Wheel is not damaged, it does not need to be cleaned or replaced.

2. Using corner Lift Tab, remove used Eclipse Cartridge and discard.
3. Unplug Light and Pump Motor Assembly. Remove Pump Assembly from Eclipse unit. Separate Magnetic Impeller Assembly and Intake Tube (Fig. 14).
4. Clean all parts thoroughly with cleaning brush. Rinse with cold water. Inspect Impeller Assembly for wear. Purchase new part if excessive wear or damage is evident. After cleaning, set aside until reassembly.

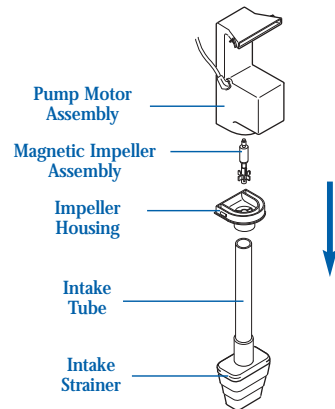


FIGURE 14

5. Using cold water, wipe down the inside and outside surface of Eclipse unit with a clean cloth.

6. Reassemble parts. Refer to Parts Diagram (page 7) or Assembly Steps 7-10, if necessary. Insert Impeller Assembly into assembled Impeller Housing, Intake Tube and Strainer (Fig. 15) before reinstalling into Pump Motor Assembly.

After reassembly, Impeller should rotate freely and silently - without wobble or hindered motion of any kind. Install Impeller Assembly in Pump Motor Assembly.

Replace entire Pump/Impeller/Tube Assembly. Make sure that top section of Pump Motor Assembly is seated securely in Flexible Pump Mount (see Fig. 7, pg. 10).

7. Rinse new Eclipse Filter Cartridge (step 4, pg.9). Install.

NOTE: Use only a genuine Eclipse Filter Cartridge. Substitutions often contain lower grades and/or quantities of carbon and may not fit properly. This can result in reduced filtration effectiveness.

8. Secure cords in Cord Organizer. Restart filter. Check water flow and BIO-Wheel rotation. Check to make sure Pump/Filtration Assembly is operating silently and efficiently.

NOTE: If water flow to BIO-Wheel is blocked, water will overflow cartridge. Make sure Cartridge Chamber and BIO-Wheel Chamber are free of any obstruction.

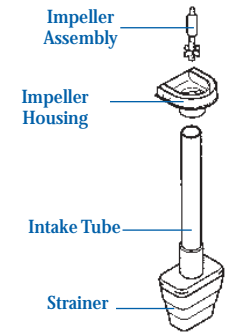


FIGURE 15

TROUBLESHOOTING GUIDELINES

SYMPTOM	COMMENTS/SOLUTION
If your system fails to start (or stops) pumping water...	<p>Make certain the outlet has power and is functioning properly. Check to see that aquarium water is at correct level. Inspect Intake Tube and Strainer for obstructions. Remove and inspect Pump Assembly. Remove Impeller Assembly and check for wear and/or obstruction. Check Motor Housing for obstructions.</p>
If your system makes mechanical noise...	<p>Remove Impeller Housing and Impeller Assembly. Make certain Magnetic Impeller Assembly is free to rotate. Debris may be hindering silent rotation. Replace worn or damaged Magnetic Impeller Assembly. Refer to parts list for part number.</p>
If your system makes vibrational noise...	<p>Make sure Motor Housing is suspended properly in Flexible Pump Mount. Also check to make sure that Intake Tube and Strainer are not impeded in any way.</p>
If your BIO-Wheel splashes and/or makes excessive water noise...	<p>Allow 24-48 hours for "breaking in" period. Material in a BIO-Wheel is not fully absorptive when new. Check aquarium water level. Lower than normal levels can result in excessive splash or noise.</p>
If a BIO-Wheel stops...	<p>Don't panic. Chances are, the wheel is not <i>permanently</i> stopped. Irregular rotation, including brief pauses, is normal. As long as the wheel continues to move periodically and remains wet, it is functioning properly. Make sure BIO-Wheel Bearings are free of obstruction. Make sure BIO-Wheel Chamber is free of obstruction.</p>
If, however, BIO-Wheel appears permanently stopped or obstructed...	<p>Inspect BIO-Wheel Bearings and Axle for dirt or mineral deposits. If evident, clean these areas carefully. Make sure all parts are installed properly and that there are no obvious obstructions to free rotation. Examine Intake Tube for flow obstruction. Unplug pump, lift Eclipse Filter Pad and check for blockage. Change if necessary. Perform regular filter maintenance.</p>

SYMPTOM	COMMENTS/SOLUTION
If a BIO-Wheel becomes discolored...	<p>This is not a problem. It indicates the development of beneficial biological culture. <i>Do not attempt to clean BIO-Wheel pleats.</i></p>
If fluorescent lights do not turn on...	<p>Make sure Light Cord is plugged into proper receptacle. If lighting is connected to a timer, check for proper function. Inspect Lamp(s) for burnout. Turn off power and change Lamp(s) (pg. 16). NOTE: <i>High output (HO) or very high output (VHO) lamps are inappropriate for the Eclipse unit and should not be used under any circumstances.</i> Do not attempt to service Lamp or starter assembly. Call Marineland Customer Service if problem persists.</p>

LIMITED WARRANTY

Within two years from the date of original purchase, Marineland Aquarium Products will repair or replace, at its option, any Eclipse which is deemed defective in workmanship or materials.

Please return the unit, together with proof of date of purchase, to your local dealer or send unit (postage paid) to:

Marineland Aquarium Products
 6100 Condor Drive
 Moorpark, CA 93021

Eclipse Fluorescent Lamps are pretested at the factory and are warranted separately. If, within a period of 90 days from date of purchase, a Lamp fails to illuminate (and has not been damaged through owner misuse), Marineland will replace it at no extra charge.

Damage or injuries resulting from negligence or misuse are not covered by this warranty. Incidental or consequential damages are specifically excluded.* This warranty gives you specific legal rights. You may also have other rights which vary from state to state.

*Because some states do not allow the exclusion of incidental or consequential damages, this exclusion may not apply to you.