

LIMITED WARRANTY

Within two years from the date of original purchase, Marineland Aquarium Products will repair or replace, at its option, any Eclipse System which is deemed defective in workmanship or materials.

Please return the unit (postage paid), together with proof of date of purchase, to:

Marineland Aquarium Products
6100 Condor Drive
Moorpark, CA 93021

This aquarium is under warranty against leaks due to defects in material or workmanship. If this aquarium is found to be defective - and has not been modified, damaged or misused - call Marineland Aquarium Products at 800-322-1266 for a replacement (proof of date of purchase must be provided).

This warranty is void if the aquarium is not placed on a flat, level surface designed to support this size aquarium or if the aquarium is moved when it is not completely empty or if it is used for other than its intended purpose. Warranty does not cover loss of fish, personal injury, property loss or damage arising from use of the aquarium.

Eclipse fluorescent lamps are pretested at the factory and are warranted separately. If - within a period of 90 days from date of purchase - a lamp fails to illuminate (and has not been damaged through owner misuse), Marineland will replace it at no extra charge.

Damage or injuries resulting from negligence or misuse are not covered by these warranties. Incidental or consequential damages are specifically excluded*. These warranties give you specific legal rights. You may also have other rights which vary from state to state.

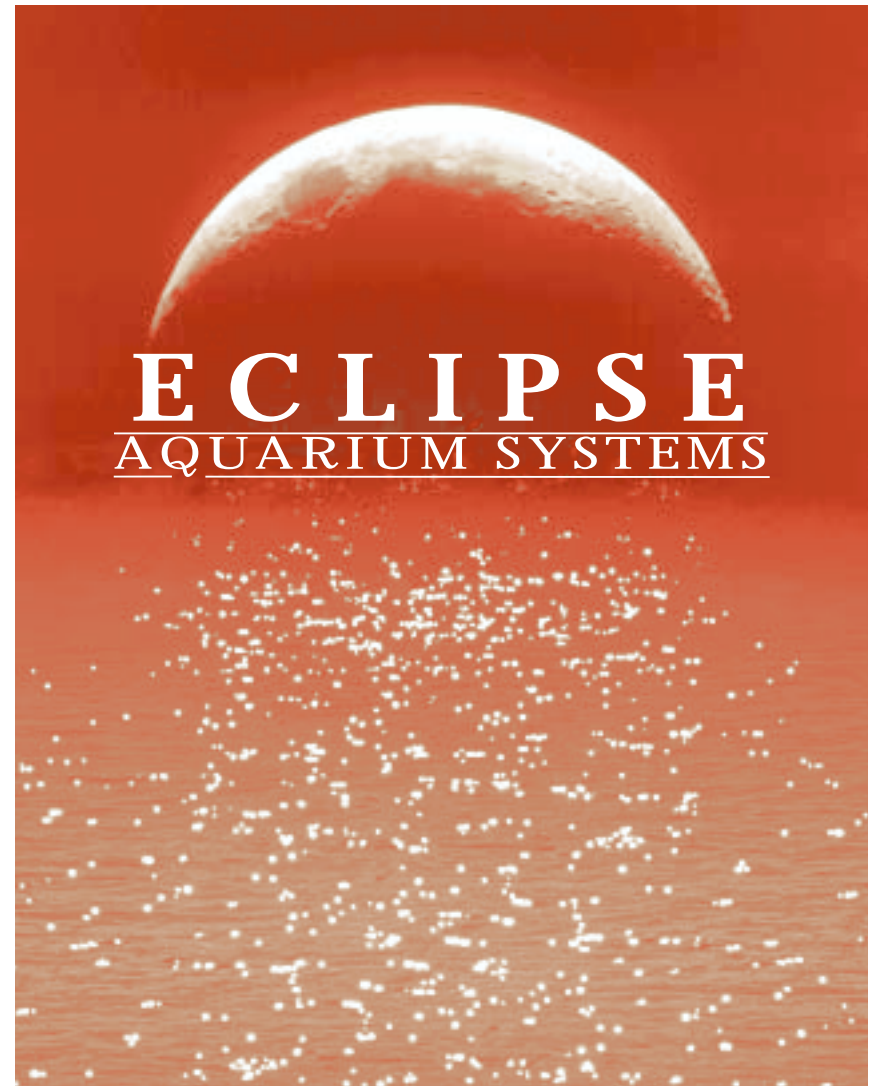
*Because some states do not allow the exclusion of incidental or consequential damages, this exclusion may not apply to you.



The Eclipse is listed by Underwriters Laboratories to ensure that it meets stringent U.S. and Canadian safety requirements.



Marineland, Eclipse, BIO-Wheel and Black Diamond are trademarks of AQUARIA, Inc.



OWNER'S MANUAL
SYSTEM THREE • SYSTEM SIX • SYSTEM TWELVE

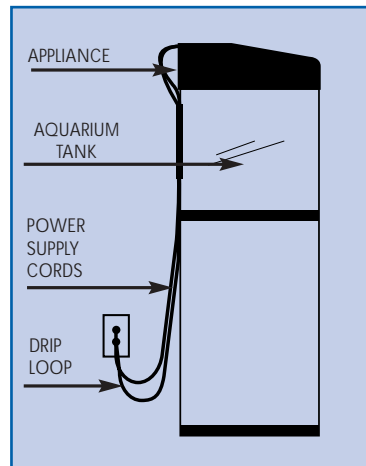
IMPORTANT SAFEGUARDS

WARNING – To guard against injury, basic safety precautions should be observed, including the following.

READ AND FOLLOW ALL SAFETY INSTRUCTIONS

DANGER – To avoid possible electric shock, special care should be taken in the use of aquarium equipment. For each of the following situations, do not attempt repairs yourself; return the appliance to an authorized service facility for service or discard the appliance.

1. A. If the appliance falls into the water, DON'T reach for it! First unplug it and then retrieve it. If electrical components of the appliance get wet, unplug the appliance immediately.
B. If the appliance shows any sign of abnormal water leakage, immediately unplug from the power source.
C. Carefully examine the appliance after installation. It should not be plugged in if there is water on parts not intended to be wet.
D. Do not operate any appliance if it has a damaged cord or plug, or if it is malfunctioning or if it is dropped or damaged in any manner.
E. To avoid the possibility of the appliance plug or receptacle getting wet, position aquarium stand and tank to one side of a wall mounted receptacle to prevent water from dripping onto the receptacle or plug. A "drip loop", shown in the Figure at right should be arranged by the user for each cord connecting an aquarium appliance to a receptacle.



The "drip loop" is that part of the cord below the level of the receptacle or the connector, if an extension cord is used, to prevent water traveling along the cord and coming in contact with the receptacle. If the plug or receptacle does get wet, DON'T unplug the cord. Disconnect the fuse or circuit breaker that supplies power to the appliance. Then unplug and examine for presence of water in the receptacle.

2. Close supervision is necessary when any appliance is used by or near children.
3. To avoid injury, do not contact moving parts or hot parts such as heaters, reflectors, lamp bulbs, etc.
4. Always unplug an appliance from an outlet when not in use, before putting on or taking off parts, and before cleaning. Never yank cord to pull plug from outlet. Grasp the plug and pull to disconnect.
5. Do not use an appliance for other than intended use. The use of attachments not recommended or sold by the appliance manufacturer may cause an unsafe condition.
6. Do not install or store the appliance where it will be exposed to the weather or to temperatures below freezing.
7. Make sure an appliance mounted on a tank is securely installed before operating it.
8. Read and observe all the important notices on the appliance.
9. If an extension cord is necessary, a cord with a proper rating should be used. A cord rated for less amperes or watts than the appliance rating may overheat. Care should be taken to arrange the cord so that it will not be tripped over or pulled.
10. This appliance has polarized plugs (one blade is wider than the other). As a safety feature, the plugs will fit in a polarized outlet only one way. If the plug does not fit fully in the outlet, reverse the plug. If it still does not fit, contact a qualified electrician. Never use with an extension cord unless plug can be fully inserted. Do not attempt to defeat this safety feature.

SAVE THESE INSTRUCTIONS



Your Window to Another World

Welcome to the world, the art, the experience of fishkeeping.

Each year, thousands of new fishkeepers discover the natural wonder of aquariums. Fishkeeping provides them, and now *you*, the unique opportunity to not only observe another world, but to *create* it as well. In the process, you'll learn about aquatic animals and observe their behavior first hand. And there is nothing quite like an aquarium to generate an appreciation and respect for our environment.

Fun, easy and instructive, an aquarium is a singularly beautiful, always fascinating addition to any home or office decor...a welcome source of entertainment, education and relaxation for the entire family.

Fish As Pets

Think of your fish as pets and you'll agree, they deserve the best care and attention you can provide. A healthy aquarium is relatively easy to achieve and maintain, but it will not happen by itself...it depends on you.

In rivers, lakes and oceans, water is cleansed and filtered naturally. In an aquarium, things are different. In order to keep aquarium water clean and healthy, you must help. This means taking care not to overcrowd the tank or overfeed the fish. It means changing the water regularly, cleaning the gravel bed and providing the proper filtration.

Sound like a lot? It's really not. In fact, it only takes about 30 minutes a week.

Advanced Technology, Superior Performance,
Unlimited Versatility...

ECLIPSE®

AQUARIUM SYSTEMS



System Six



System Twelve



System Three

A unique combination of beauty, precision and 3-stage total filtration efficiency, every Eclipse Aquarium System is a fascinating showpiece for home or office or anywhere! Filtration, lighting and maintenance are at your fingertips!

Total 3-Stage Filtration Efficiency

A healthy, successful aquarium requires the proper filtration. Three types are necessary:

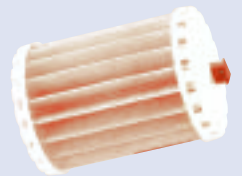
Mechanical Filtration traps solid debris like uneaten food and fish waste.

Chemical Filtration uses media (activated carbon) to adsorb (attract and hold) dissolved pollutants which can cause discoloration and odor.

The Eclipse Filter Cartridge supplies both mechanical and chemical filtration. For mechanical filtration, there's a polyfiber filter pad to trap dirt and debris. For chemical filtration, each cartridge is packed with Black Diamond™ Premium Activated Carbon...the best there is.

Biological Filtration is the *most* important kind of filtration. It depends on a culture of bacteria to help get rid of ammonia and nitrite that build up in aquarium water. The bacteria changes the harmful ammonia and nitrite into harmless nitrate, which is removed with a partial water change.

The patented Eclipse BIO-Wheel® is the undisputed best when it comes to biological filtration. As the BIO-Wheel rotates, it contacts water and air...providing bacteria with the oxygen they need to grow, flourish and remove more ammonia.



Superior BIO-Wheel Filtration

Because BIO-Wheel is a *wet/dry* biological filter, it provides bacteria with as much as 30,000 times more oxygen than any *underwater* biological filtration. More oxygen means more bacteria working many times harder (and many times faster) to keep your tank ammonia-free and sparkling clean.

BIO-Wheel never clogs, never needs replacing, requires virtually no maintenance. And don't be concerned if your BIO-Wheel rotates slowly or irregularly. This is normal. A BIO-Wheel rotating at *any* speed is filtering your water.

Superior Illumination

Far superior to heat-generating incandescent lighting, the full spectrum daylight fluorescent lamp is ideal for plant growth and ornamental fish color enhancement.

Superior Convenience

Every Eclipse Aquarium System is easy to install, easy to operate. No tubing or noisy air pumps are required. And because all filtration media is *inside* the top mounted unit, there are minimal rear space requirements for against-the-wall placement.

ABOUT YOUR AQUARIUM

Your Eclipse Aquarium System includes an injection-molded acrylic aquarium... designed and crafted to provide 360 degrees of clear viewing enjoyment. To ensure its proper care and operation, please read this section before setup.

Handle With Care

Never attempt to move a full or partially full aquarium.

Never lift an aquarium with wet hands.

Never attempt to lift an aquarium by grasping frame or upper edges.

Always grasp and carry an aquarium from underneath, supporting the bottom at all times.

Choose Location Carefully

Always place an aquarium in a location designed to support its total weight. An aquarium filled with water and gravel weighs approximately 10-12 pounds per gallon.

Always place an aquarium on a flat, level surface. Aquarium stands less than 12" wide should be anchored or tethered to a wall to provide stability.

Never place an aquarium on the floor. Empty or full, it can cause severe injury or become damaged.

Never place an aquarium in direct sunlight. Full or even partial sunlight can cause excessive algae growth.

IMPORTANT: Because your Eclipse aquarium is made of acrylic, it is susceptible to scratching. Care should be taken when handling the aquarium or when adding gravel, rocks or decorations. Clean the acrylic surface with an acrylic cleaner or dampened terrycloth towel. Never use glass cleaners or abrasives of any kind. Should scratching occur, scratch removal kits are available at your local aquarium store.

When Filling Your Aquarium..

Always fill with room temperature water. Cool water produces condensation, which gives the appearance of leakage. If condensation does occur, simply wipe surface with clean cloth until temperature stabilizes.

Always treat (dechlorinate) water before adding it to your aquarium. Do not add untreated tap water - it can kill your fish.

Always rinse gravel, rocks and decorations thoroughly (water should drain clear) before placement in aquarium.

Before You Begin...

When creating a new aquarium environment, patience is the first key to success. Allow your system to operate for at least 24 hours before adding fish. Then begin with a few fish, adding more fish gradually over a 4-6 week period. This allows the BIO-Wheel to establish a beneficial bacteria culture and develop peak operational efficiency.

And Remember...

Change 25% of your aquarium water at least 2-3 times per month. Partial water changes are vital to maintaining a healthy aquarium.

Clean aquarium gravel regularly. Use a Marineland Siphon-Kleen gravel washer to suction out grunge and debris.

Remove BIO-Wheel before adding any medication. Antibiotics can destroy the beneficial bioculture. Keep BIO-Wheel exposed to air and reinstall after treatment is complete.

Replace your Eclipse Filter Cartridge at least once a month. If water appears cloudy and/or bad smelling, change the cartridge immediately.

REPLACEMENT PARTS LIST

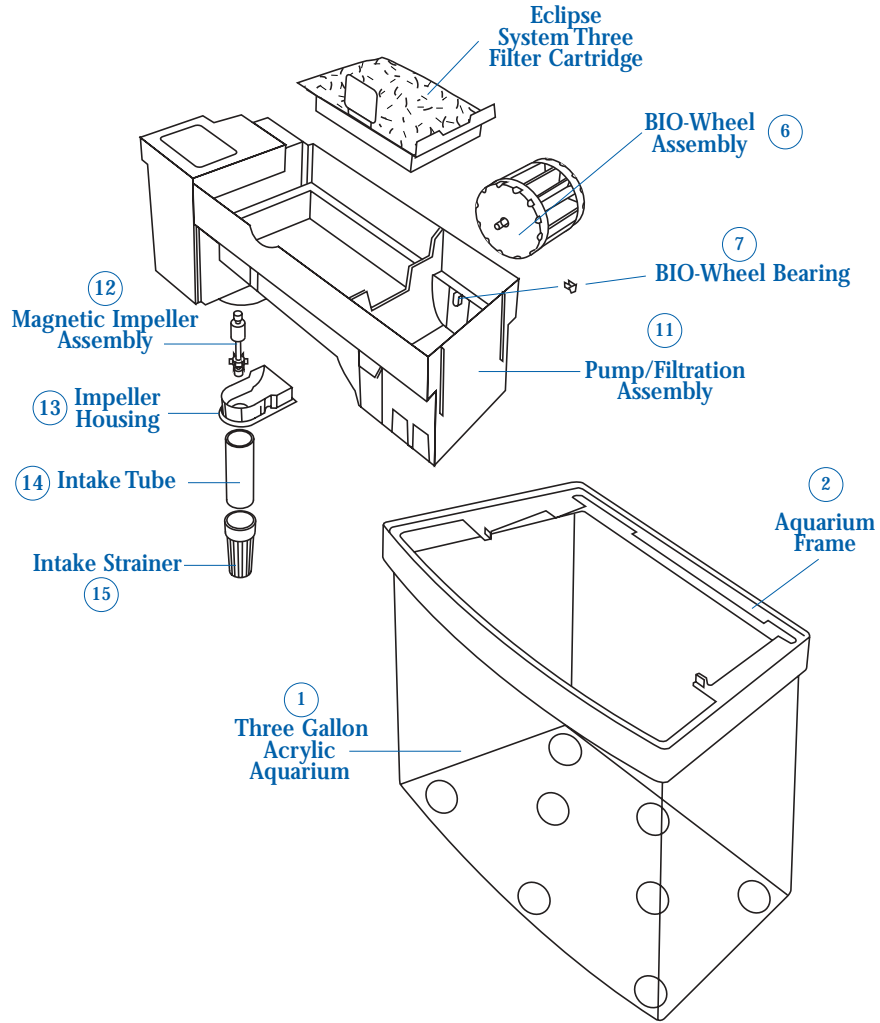
KEY	ITEM DESCRIPTION	SYSTEM THREE	SYSTEM SIX	SYSTEM TWELVE
1	Acrylic Aquarium	PR3300	PR3100	PR3400
2	Aquarium Frame	PR3301	PR3101	PR3401
3	Hood with Lamp Base Assembly	PR3310	PR3110	PR3410
4	Filtration Access Panel	PR3311	PR3111	PR3411
5	Accessory Port Cover	PR3112	PR3112	PR3112
6	BIO-Wheel Assembly	PR1932B	PR3120	PR3020
7	BIO-Wheel Bearings (pkg. 2)	PR1910B	PR3121	PR3121
8	Replacement Lamp	PA0410 9" (T5 - 6 watt)	PA0415 12" (T5 - 8 watt)	PA0420 Compact - 13 watt
9	Lamp Lens Cover	PR3331	PR3131	PR3431
10	Lens Cover Fastener	PR3132	PR3132	PR3132
11	Pump/Filtration Assembly	PR3340	PR3140	PR3440
12	Impeller Housing	PR3341	PR3141	PR3441
13	Magnetic Impeller Assembly	PR3342	PR1704	PR3442
14	Intake Tube	PR1341	PA1341	PA1443
15	Intake Strainer	PR1705	PR1705	PR1462
16	Cord Organizer	N/A	PR3102	N/A

CUSTOMER SERVICE INFORMATION

For additional assistance or to order parts direct, you may call the Marineland Customer Service Department at 800-322-1266 M-F between the hours of 8am and 5pm (Pacific Time). Please have your manual and MasterCard or VISA ready when ordering.

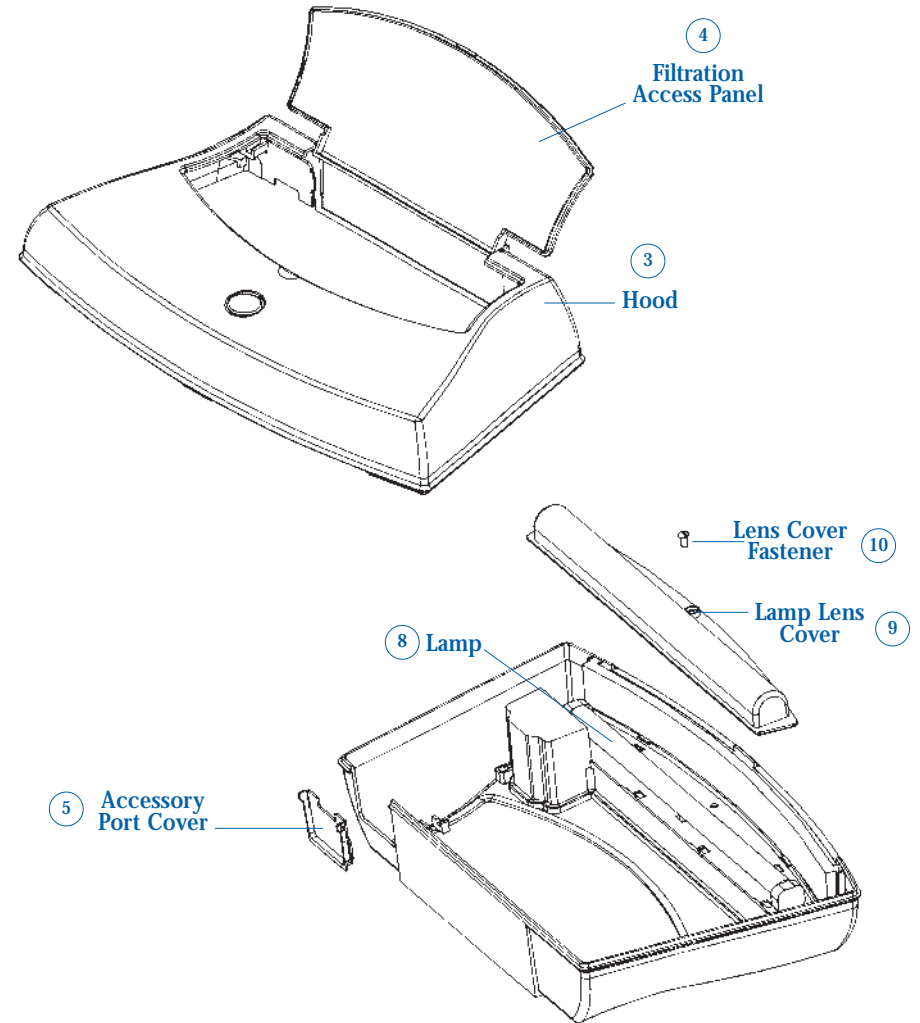
NOTE: *The Eclipse 1 Filter Cartridge will also fit the System Twelve. Eclipse Filter Cartridges are not sold as replacement parts. They may be purchased at your local Marineland retail outlet in single or three packs.*

PARTS DIAGRAM & IDENTIFICATION



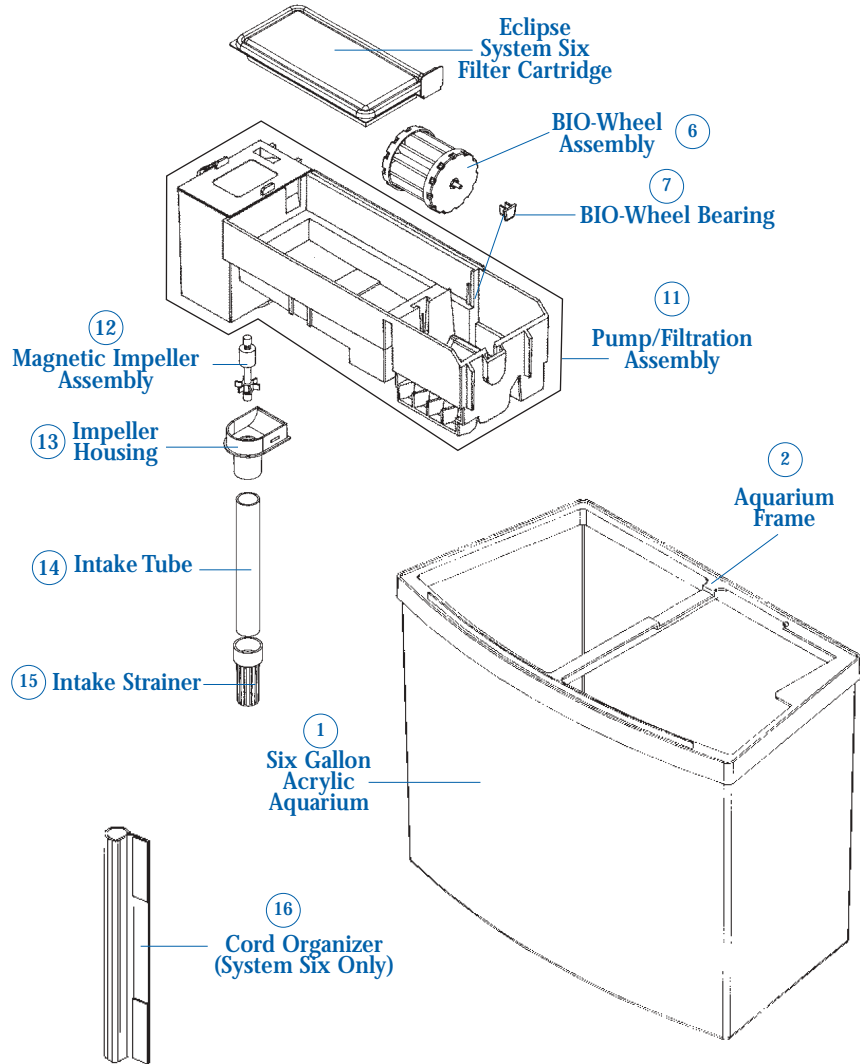
System Three

PARTS DIAGRAM & IDENTIFICATION



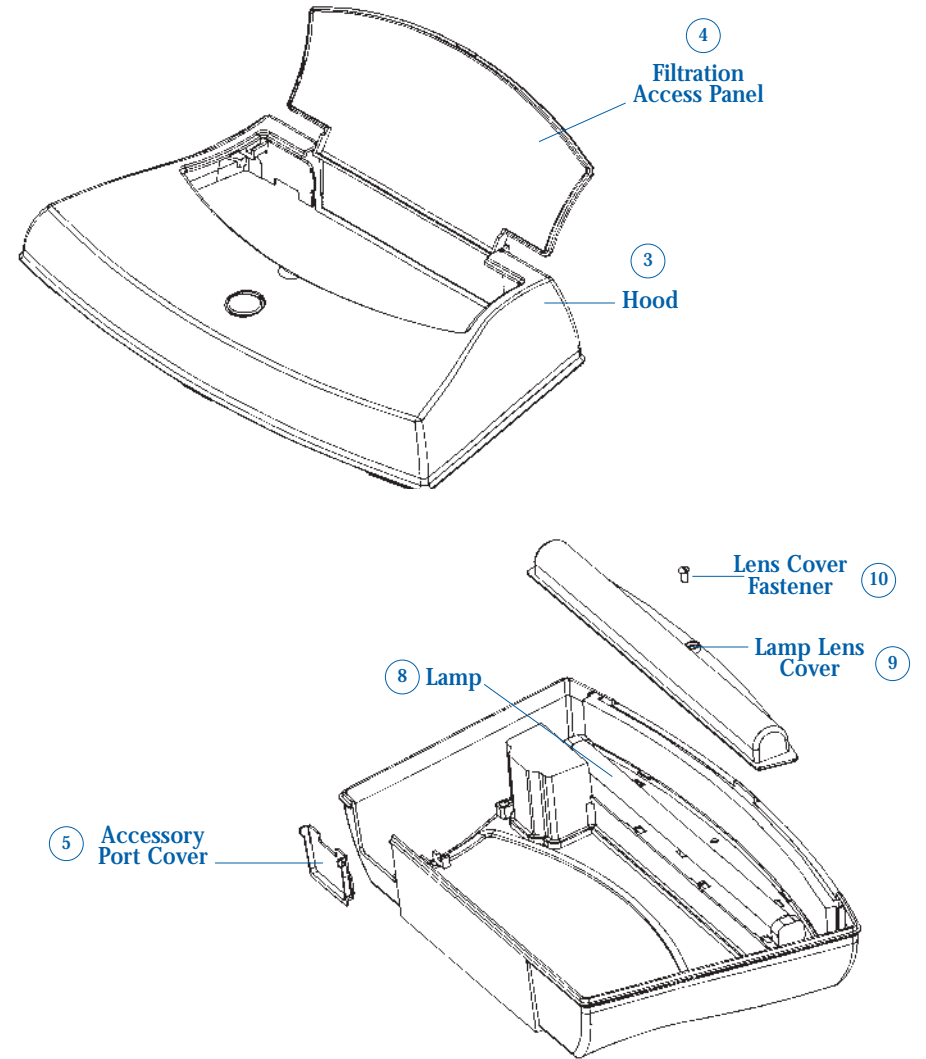
System Three

PARTS DIAGRAM & IDENTIFICATION



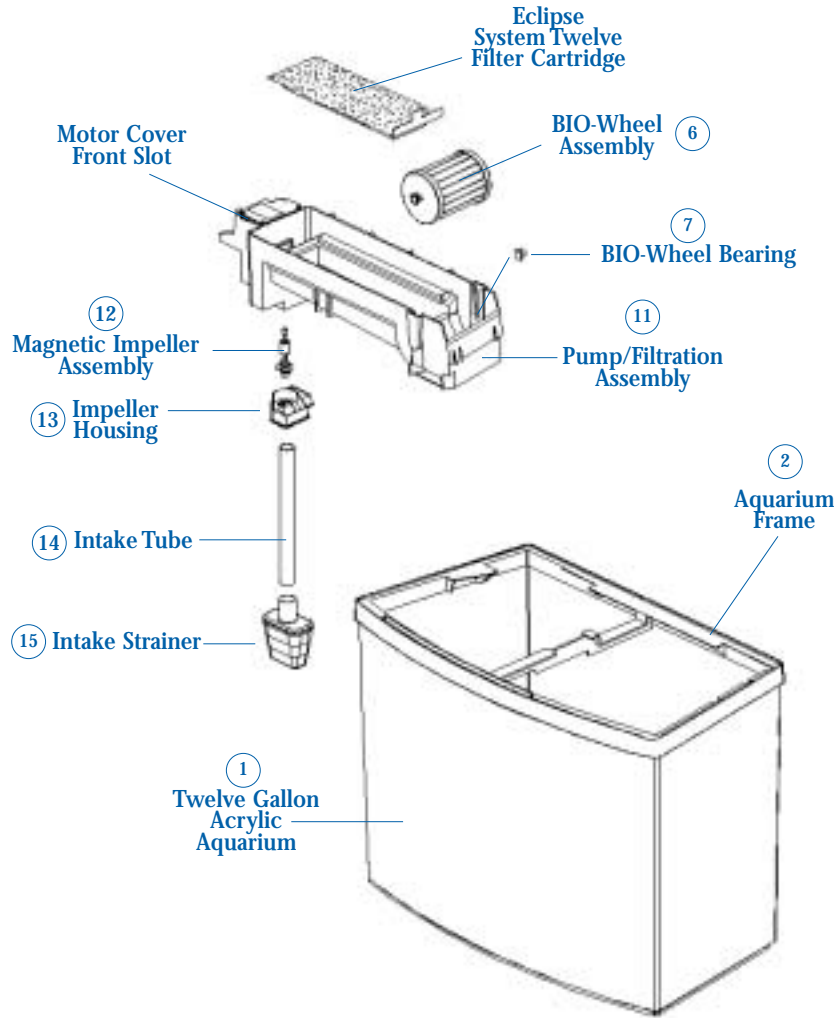
System Six

PARTS DIAGRAM & IDENTIFICATION



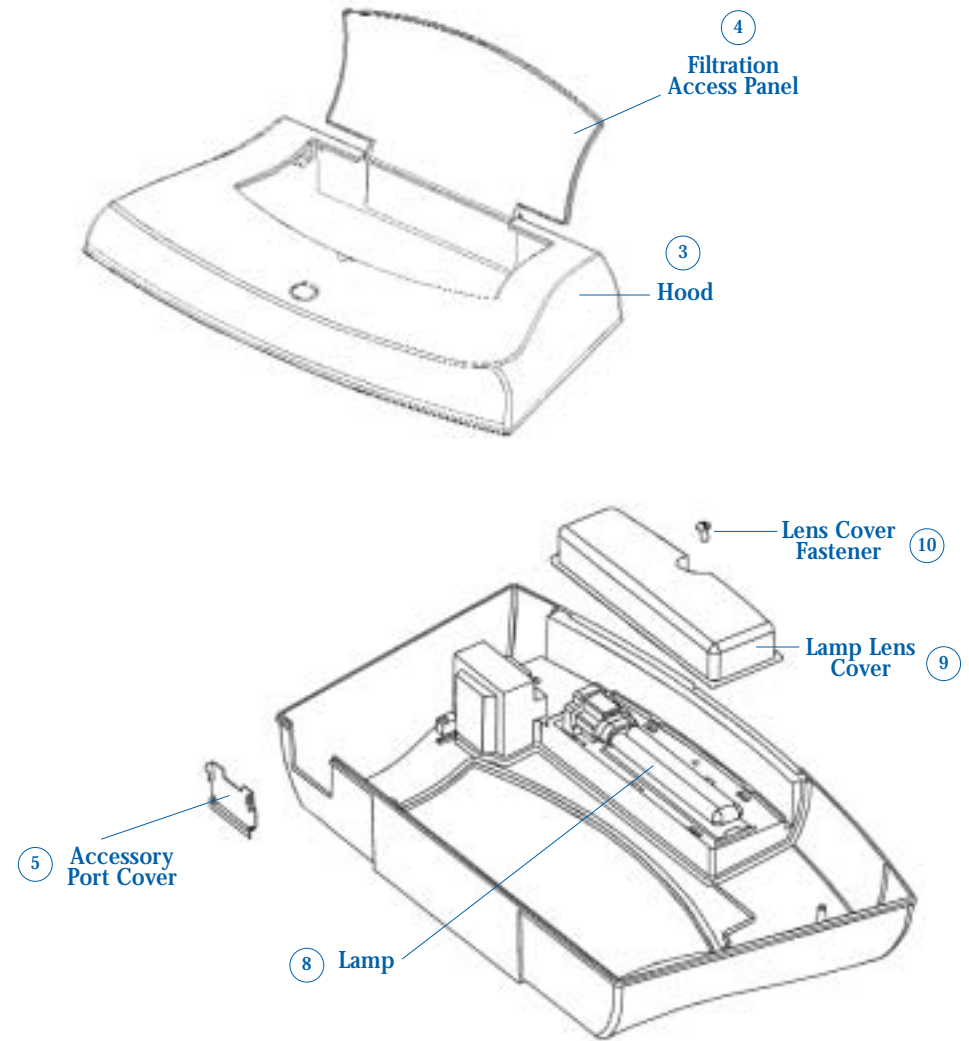
System Six

PARTS DIAGRAM & IDENTIFICATION



System Twelve

PARTS DIAGRAM & IDENTIFICATION



System Twelve

ASSEMBLY/OPERATIONAL INSTRUCTIONS

Assembly/Operational and Maintenance instructions for the Eclipse System Three, System Six and System Twelve are virtually identical. For this reason, and in the interest of avoiding confusion, most of the sections that follow feature illustrations *for the Eclipse System Six model only*. Because lighting references and assembly Steps 7, 8, and 10 involve slight procedural variations, they will be divided into separate “System Three,” “System Six,” and “System Twelve” sections for absolute clarity.

Most parts are preassembled and do not require disassembly prior to installation. We recommend that you read the Maintenance section that follows to familiarize yourself with the overall operation of the Eclipse Aquarium System.

STEP 1: REMOVE ACCESS PANEL

Open Filtration Access Panel (Fig. 1). Starting at **Hinge** on right side, lift panel up and away from **Hood**. Set aside.

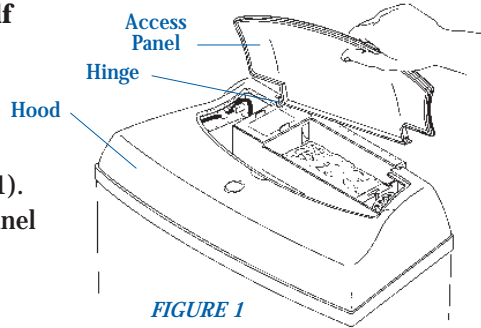


FIGURE 1

STEP 2: PREPARE LIGHTING

Carefully lift Hood from tank. Visually inspect **Lamp**, **Lamp Housing**, **Lamp Fastener** and **Lamp Lens Cover** to confirm that they have not been damaged or dislodged in transit (Fig. 2). If damage has occurred, call Customer Service for replacement. Set Hood aside.

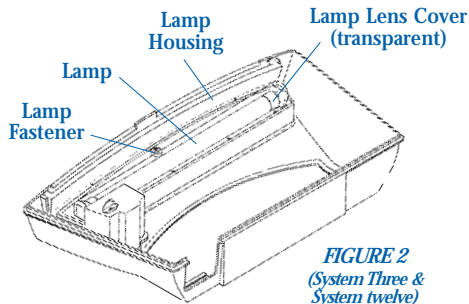


FIGURE 2
(System Three & System Twelve)

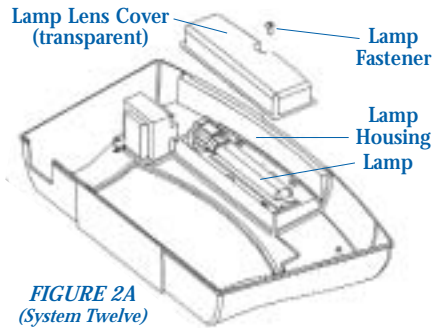


FIGURE 2A
(System Twelve)

STEP 3: REMOVE PUMP/FILTRATION ASSEMBLY

Carefully lift **Pump/Filtration Assembly** up and away from aquarium (Fig. 3).

NOTE: Positioning of BIO-Wheel is different for System Three and System Twelve. See Step 8 (pg. 22).

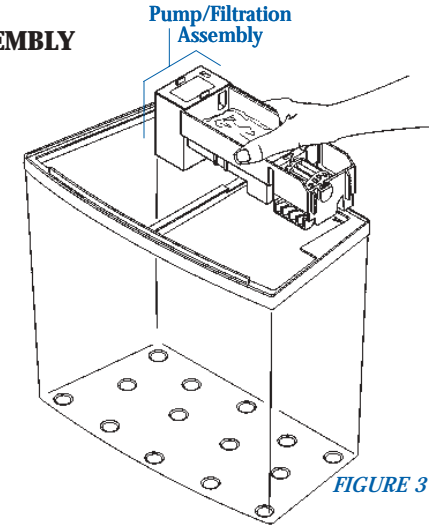


FIGURE 3

STEP 4: ASSEMBLE INTAKE TUBE AND STRAINER

Slip **Intake Strainer** onto end of **Intake Tube**. Insert opposite end of Intake Tube into **Impeller Housing** on bottom of **Motor Assembly** (Fig. 4).

NOTE: Magnetic Impeller Assembly is already installed. Be sure that Intake Tube fits securely and does NOT wobble.

CAUTION:

Do not attempt to remove Motor Housing Cover. It is permanently attached.
NOTE: System Twelve Motor Housing Cover is removable. See Troubleshooting section for specific reference (“If water..”).

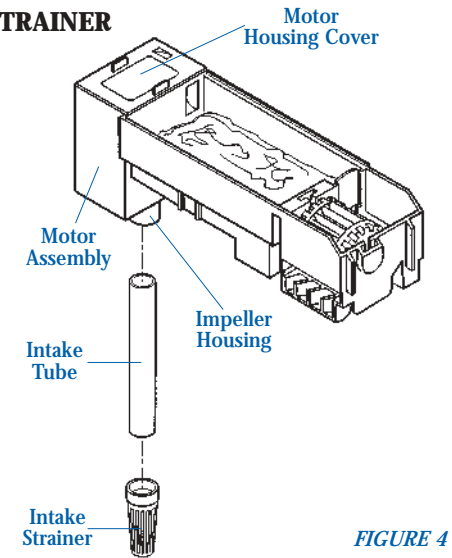


FIGURE 4

STEP 5: SET UP AQUARIUM

Remove **Aquarium Frame**. Add gravel, rock and any decorations desired. Take care not to scratch acrylic surfaces. Replace frame and fill aquarium with water to frame level (Fig. 5).

IMPORTANT: Prior to the addition of water to your aquarium, the black frame will fit loosely around the top edge. This is intentional. Once your aquarium is filled with water, the frame will tighten.

NOTE: Never attempt to remove Aquarium Frame when aquarium is full of water. If frame becomes dislodged, press firmly back into place by starting at one corner and continuing around edge until frame is level and resealed securely.

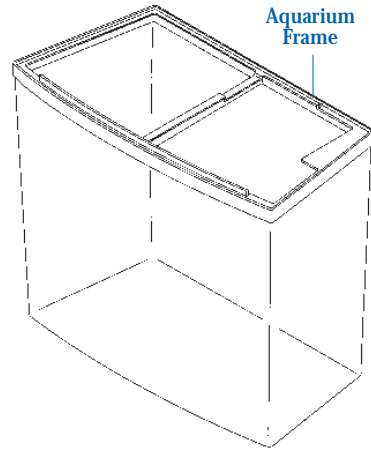


FIGURE 5

STEP 6: REINSTALL FILTRATION ASSEMBLY

Place Pump/Filtration Assembly in position atop Aquarium Frame. If Pump/Filtration Assembly is not properly seated, filter will not operate correctly.

NOTE: For System Six and System Twelve, Front Ribbed Slot should straddle Center Bridge securely - no wobble. Rear Ribs will seat on outer rim to help ensure stability (Fig. 6).

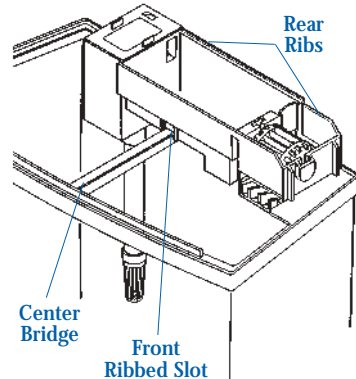


FIGURE 6

STEP 7: INSTALL ECLIPSE CARTRIDGE

Rinse **Eclipse Filter Cartridge** thoroughly under cold water to remove any dust. Shake Cartridge horizontally (blue side up) to evenly distribute carbon over ribbed back.

For System Three...

Bend both **Cartridge Tabs** up (Fig. 7a).

For System Six...

Bend single **Cartridge Tab** up (Fig. 7b).

NOTE: Make sure System Six Cartridge Tab fits snugly into Corner Slot as shown (Fig. 7c).

For System Twelve...

Bend single **Cartridge Tab** up (Fig. 7d).

Place **Cartridge** into **Filter Cartridge Chamber** - black ribbed back facing down.

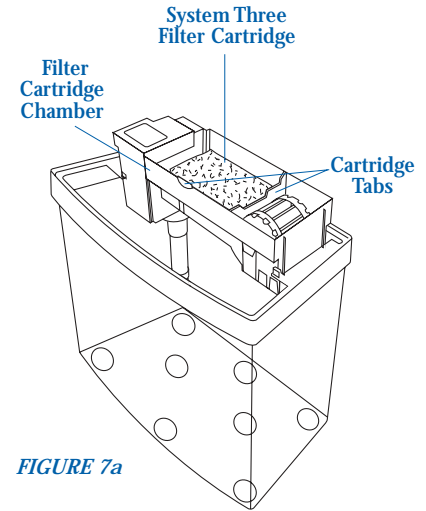


FIGURE 7a

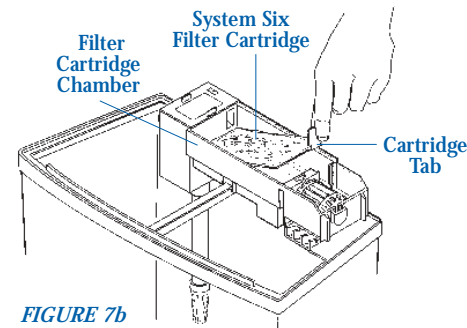


FIGURE 7b

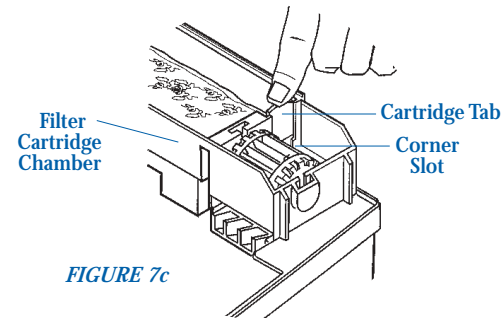


FIGURE 7c

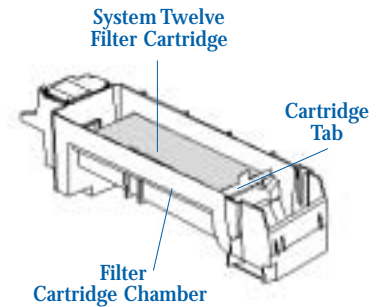


FIGURE 7d

STEP 8: INSPECT BIO-WHEEL

Make sure that BIO-Wheel Bearings are seated snugly into Bearing Pockets and that the BIO-Wheel rotates freely. If Pump/Filtration Assembly is seated properly, water in aquarium should reach a level just below BIO-Wheel Chamber.

For System Three and System Twelve... BIO-Wheel position is shown in Fig. 8a.

For System Six... BIO-Wheel position is shown in Fig. 8b.

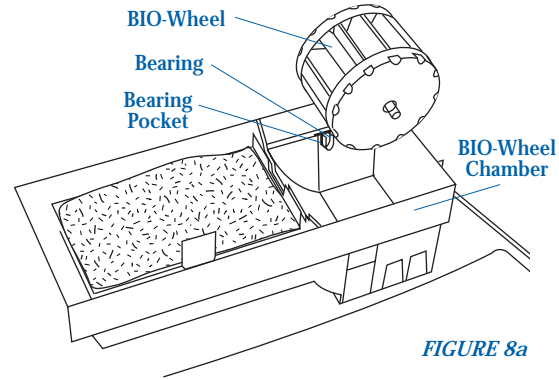


FIGURE 8a

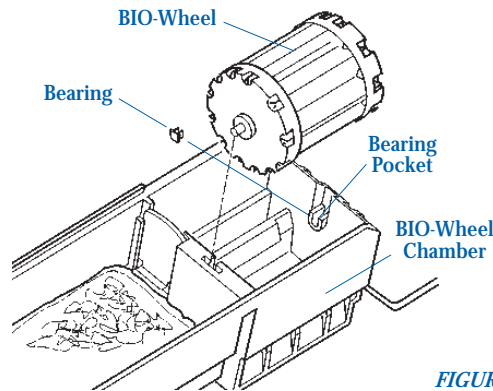


FIGURE 8b

STEP 9: ADD ACCESSORIES

If you wish to install any optional accessories - like a heater or air stone - this is the ideal time to do so. Place accessories in the desired location.

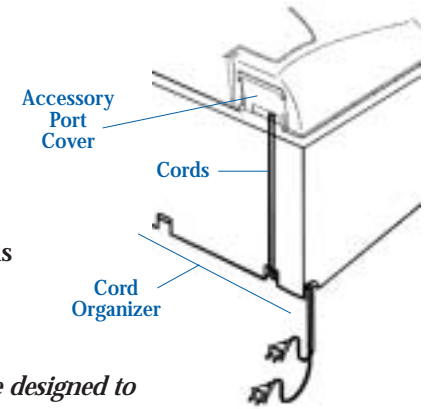
CAUTION

Always use submersible or frame-mounted heaters equipped with a splash proof safety cover (cap). Make sure cap remains in place at all times.

STEP 10: ROUTE POWER CORDS

For System Three and System Twelve...

Replace Hood on top of aquarium and route Pump Cord, Light Cord and any accessory cord(s) or tubing through slot in Accessory Port Cover. Keep cords out of water at all times. Gently pull cords taut and insert into Cord Organizer at base of aquarium (as shown, Fig. 9).



NOTE: Exit slots in Cord Organizer are designed to accommodate varying cord lengths and permit you to plug cords into outlets on either side of aquarium.

For System Six...

Remove red protective covering from adhesive strips on inside of Cord Organizer. Install on outside corner of aquarium as shown (Fig. 10).

NOTE: Affix Adhesive Strip to side of aquarium. This will permit installation of decorative background to rear of aquarium, if desired. Organizer adhesive requires 24 hours to set completely.

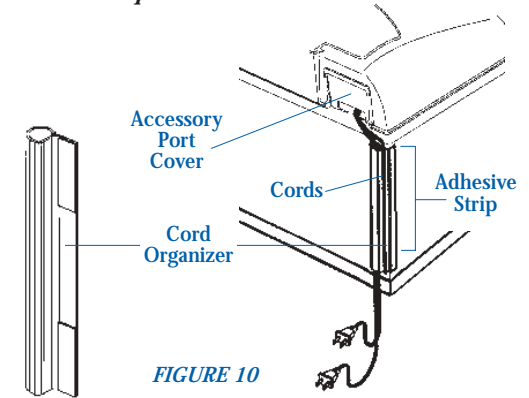


FIGURE 10

Replace Hood on top of aquarium and route Pump Cord, Light Cord and accessory cord(s) or tubing through slot in Accessory Port Cover. Keep cords out of water at all times. Gently press cords into Organizer clamp (Fig. 10).

CAUTION

System Six Cord Organizer Adhesive is very powerful. Choose location carefully. Attempts to remove Cord Organizer after installation may mar acrylic surface of aquarium.

STEP 11: START SYSTEM

IMPORTANT: Do not allow your Eclipse Aquarium System to operate without water at any time.

Creating a drip loop (pgs. 2-3), plug cords into standard receptacle. Water will begin to flow through system immediately. Press **Light Switch** to activate fluorescent lamp (Fig. 11).

NOTE: Do not force plug into a non-polarized receptacle. Adapters are available at most hardware stores.

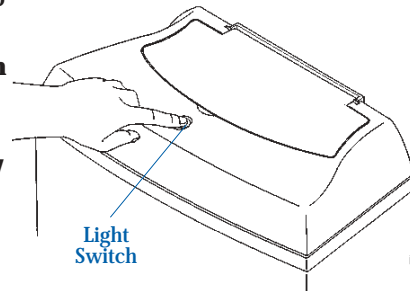


FIGURE 10

C
A
U
T
I
O
N

IF YOU CHOOSE TO USE AN OUTLET STRIP

Use only one that is properly approved and equipped with a fuse or circuit breaker.

Place outlet strip away from aquarium tank and make sure all receptacles are protected from water splash, spillage or vapor.

Frequently check electrical equipment and connections for signs of moisture, greenish corrosion or black sooty residue (arcing). If evident, turn off power IMMEDIATELY and correct the problem.

MAINTENANCE

C
A
U
T
I
O
N

- NEVER** submerge System Hood (or cords) in water.
- NEVER** use soaps, detergents, abrasives or any other cleaning agent on or around filter or aquarium surfaces.
- ALWAYS** take care to avoid scratching acrylic aquarium surface - inside *and* out.
- ALWAYS** unplug pump and light cords *before* performing maintenance.

Proper system maintenance begins with frequent visual inspections to ensure normal system operation and non-stressful conditions for fish. The Eclipse Aquarium System's Filtration Access Panel makes it easy to inspect the BIO-Wheel or change the Eclipse Filter Cartridge (Fig. 12) without removing the entire unit. Feeding may be done through this open access area.

Basic aquarium maintenance includes regular 25% water changes and gravel cleaning, as well as regular (once a month, **minimum**) filter cartridge replacement. Non-operative pumps, excessive mechanical or water noise, cloudy and/or bad smelling water all require immediate attention.

NOTE: Water added to your aquarium should always be treated (dechlorinated). Chlorine neutralizers are available at your local pet outlet.

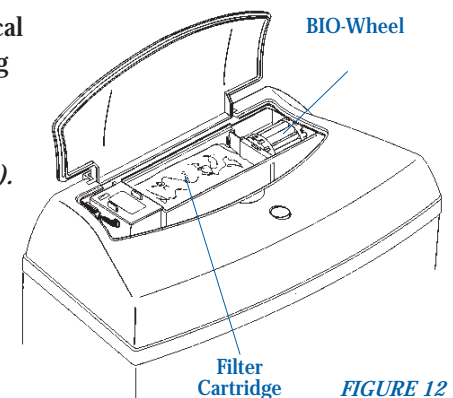
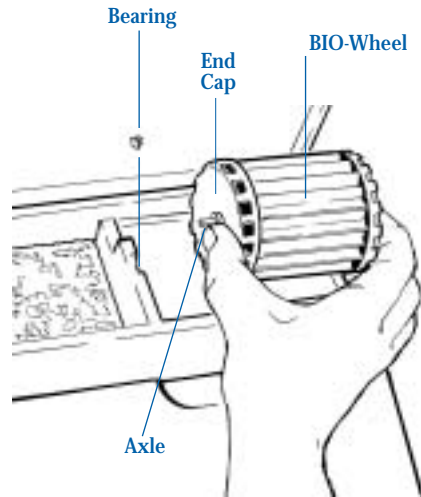


FIGURE 12

We recommend the following complete maintenance procedure as needed (at least every month):

Before you begin, unplug Lamp and Pump/Filtration Assembly and remove power cord from Cord Organizer. Remove Hood and set aside.

1. Remove **BIO-Wheel**. To avoid disturbing beneficial bacteria culture, handle a BIO-Wheel by the **End Caps** and/or **Axle** (Fig 13). Any algae, mineral deposits or other buildup that hinder rotation can be eliminated with a gentle rinse in room temperature water. Gently clean BIO-Wheel **Bearings** and inspect for wear. It is not necessary to remove Bearings. If Bearings are worn, they may then be removed and replaced.



IMPORTANT: Every BIO-Wheel is preassembled at the factory. It should not be tampered with or disassembled. Discoloration of pleated material is normal and desirable. NEVER CLEAN THE BIO-WHEEL. If it becomes so heavily cultured that it no longer rotates, you can gently rinse the surface to remove the heaviest buildup. Use treated (dechlorinated), room temperature tap water only. As long as a BIO-Wheel is not damaged, it does not need to be replaced.

2. Remove used Eclipse Filter cartridge and discard.

3. Remove **Magnetic Impeller Assembly, Intake Flow Diffuser and Intake Tube** from **Pump Motor Housing** as shown (Fig. 14).

4. Clean all parts thoroughly (Fig. 15). Brush inside surface with cleaning brush (not included). Rinse with cold water. Inspect Impeller Assembly for wear. Purchase new part if excessive wear or damage is evident. After cleaning, set aside until reassembly.

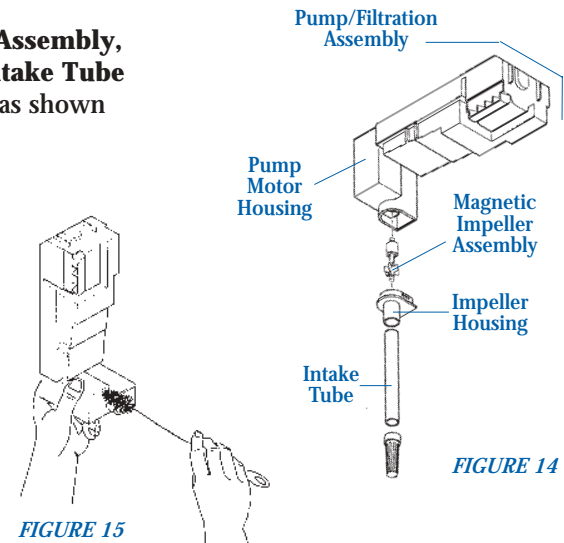


FIGURE 15

FIGURE 14

CAUTION: Do not submerge Pump/Filtration Assembly in water. Do not pour water on top of Motor Housing Cover. If water gets into Motor Housing, consult Troubleshooting section immediately.

5. Using cold water, wipe down inside and outside surface of Pump/Filtration Assembly and Hood with a clean cloth. Aquarium Frame may also be cleaned this way.
6. Reassemble parts. Refer to Parts Diagram (pgs. 10-11) and Assembly Steps 4 and 6. Impeller should rotate freely and silently - without wobble or hindered motion of any kind.
7. Rinse new Eclipse Filter Cartridge thoroughly. Install.

NOTE: Use only a genuine Eclipse Filter Cartridge designed for your Eclipse Aquarium System. Substitutions often contain lower grades and/or quantities of carbon and may not fit properly. This can result in reduced filtration effectiveness.

8. Reinstall Pump/Filtration Assembly.
9. Replace Hood. Restart filter. Check water flow and BIO-Wheel rotation. Check to make sure Pump/Filtration Assembly is operating silently and efficiently.

NOTE: If water flow to BIO-Wheel is blocked, water will overflow Cartridge Tab. Make sure Cartridge Chamber and BIO-Wheel Chamber are free of any obstructions.

LIGHTING

Illumination is provided by a natural daylight full spectrum fluorescent lamp, selected for truest color rendition and live aquatic plant growth properties. Over time, lamp performance will decline. We recommend replacement after 5,000 hours or 12 months of use. See your dealer or call Marineland Customer Service to obtain Eclipse replacement lamps.

CAUTION

Handle hood with dry hands only. Do not allow any water to seep into Lighting Vents in hood – electrical damage may result. **DRY UNDERSIDE OF HOOD BEFORE PERFORMING ANY MAINTENANCE OR REPLACEMENT.**

1. Unplug Light and Pump. NEVER change lamps while power is on.
2. Remove Hood.

For System Three and System Six...

Unscrew **Lamp Cover Fastener** (Fig.16a). Carefully remove clear Lens Cover by first “pinching” it on either side of fastener position and then rotating up and away from **Retaining Tabs**. Set cover aside.

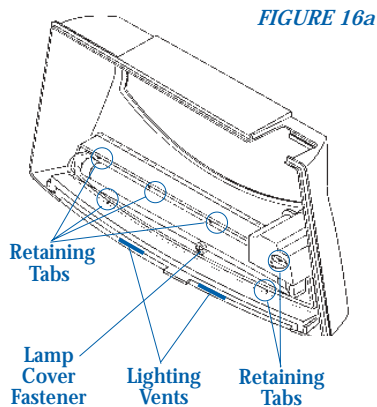


FIGURE 16a

For System Twelve...

Unscrew **Lamp Cover Fastener** (Fig.16b). Carefully remove clear Lens Cover by first “pinching” it on either side of fastener position and then rotating up and away from **Retaining Tabs**. Set cover aside.

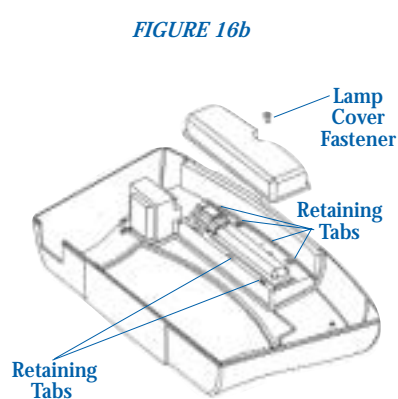


FIGURE 16b

CAUTION

ALWAYS allow lamp to cool for 2-3 minutes before proceeding to the next step.

3. *For System Three and System Six...*
After **Lamp** has cooled, carefully remove it. Grasp each end and gently twist 90°. Then pull forward and out from **Mounted Lamp Sockets** (Fig. 17). Discard.

For System Twelve...

After **Lamp** has cooled sufficiently, grasp it at connected end and gently, but firmly, pull from **Mounted Lamp Socket**. Discard.

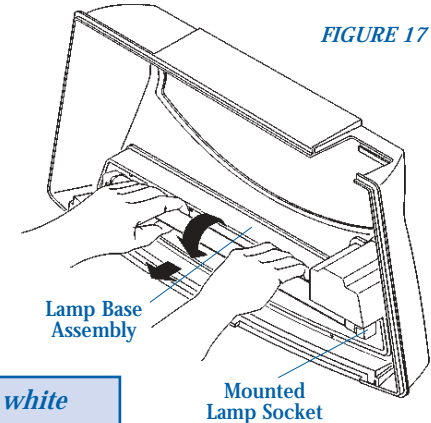


FIGURE 17

WARNING: DO NOT attempt to remove white Lamp Base Assembly from mounting. To do so may cause electric shock and severe injury.

4. Dry Lamp Base Assembly (white) thoroughly. Replace discarded lamp.
For System Twelve...
Before replacing **Lamp**, wipe metal **Light Reflector** clean with a dry cloth.
NOTE: Use only recommended lamps: For System Three...T5 6 watt; For System Six...T5 8 watt; For System Twelve...Compact 13 watt.

5. Dry clear Lens Cover thoroughly, then replace. Make sure outer edges of Lamp Cover are properly seated *under* the **Retaining Tabs**. Screw in **Lamp Cover Fastener** (Fig. 18 and 18a).

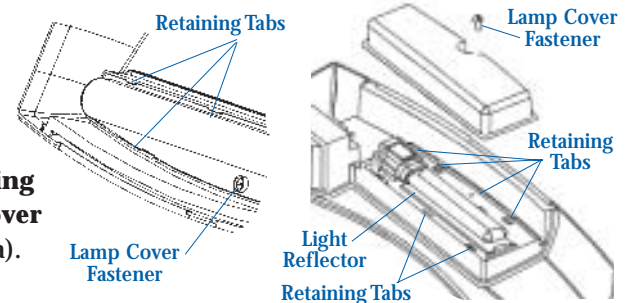


FIGURE 18

FIGURE 18a

TROUBLESHOOTING GUIDELINES

IMPORTANT:

Always unplug your Eclipse System when inspecting or disassembling for any reason.

SYMPTOM	COMMENTS/SOLUTION
If your system fails to start (or stops) pumping water...	<p>Make certain the outlet has power and is functioning properly.</p> <p>Check to see that aquarium water is at correct level.</p> <p>Inspect Intake Tube and Strainer for obstructions.</p> <p>Remove Magnetic Impeller Assembly and check for wear and/or obstruction.</p> <p>Check Motor Housing for obstructions.</p>
If your system makes mechanical noise...	<p>Remove Impeller Housing and Magnetic Impeller Assembly. Make certain Magnetic Impeller Assembly is unobstructed and free to rotate. Debris may be hindering silent rotation.</p> <p>Replace worn or damaged Magnetic Impeller Assembly. Refer to parts list for part number.</p> <p>Check Motor Housing for obstructions.</p>
If your system makes vibrational noise...	<p>Make sure that Intake Tube and Strainer are not impeded in any way. Make sure Aquarium Frame, Pump/Filtration Assembly and Hood are all properly seated.</p>
If BIO-Wheel splashes and/or makes excessive water noise...	<p>Allow 24-48 hours for "breaking in" period. Material in a BIO-Wheel wets slowly when new and may splash at first.</p> <p>Check aquarium water level. Lower than normal levels can result in excessive splash or noise.</p>
If BIO-Wheel stops...	<p>Don't panic. Chances are, the wheel is not permanently stopped. Irregular rotation, including brief pauses, is normal. As long as the wheel continues to move periodically and remains wet, it is functioning properly.</p> <p>Make sure BIO-Wheel Bearings are free of obstruction.</p> <p>Make sure BIO-Wheel Chamber is free of obstruction.</p>

SYMPTOM	COMMENTS/SOLUTION
If BIO-Wheel appears permanently stopped or obstructed...	<p>Inspect BIO-Wheel Bearings and Axle for dirt or mineral deposits. If evident, clean these areas carefully.</p> <p>Make sure all parts are installed properly and that there are no obvious obstructions to free rotation.</p> <p>Examine Intake Tube for flow obstruction.</p> <p>Unplug pump, lift System Filter Cartridge and check for blockage. Change if necessary.</p> <p>Perform regular filter maintenance.</p>
If BIO-Wheel becomes discolored...	<p><i>This is not a problem.</i> It indicates the development of beneficial biological culture. <i>Do not attempt to clean BIO-Wheel pleats.</i></p>
If fluorescent lights do not turn on...	<p>Make sure Light Cord is plugged into proper receptacle.</p> <p>If lighting is connected to a timer, check for proper function.</p> <p>Inspect Lamp for burnout. Turn off power and change Lamp (pgs. 26, 27).</p> <p><i>NOTE: High output (HO) or very high output (VHO) lamps are inappropriate for the Eclipse System unit and should not be used under any circumstances.</i></p> <p>Do not attempt to service Lamp Base Assembly or starter assembly. Call Marineland Customer Service if problem persists.</p>
If water gets into Motor Housing...	<p><i>For System Three and System Six...</i></p> <p>Shake water out at the power cord exit.</p> <p>NOTE: Motor is epoxy-encapsulated and safe.</p> <p><i>For System Twelve...</i></p> <p>Insert flat headed tool, e.g. screwdriver or coin, into front slot (see exploded view) and gently pry open motor cover.</p> <p>Remove water and replace cover.</p>

Marineland Customer Service:
800-322-1266
M-F, 8am - 5pm (Pacific Time)